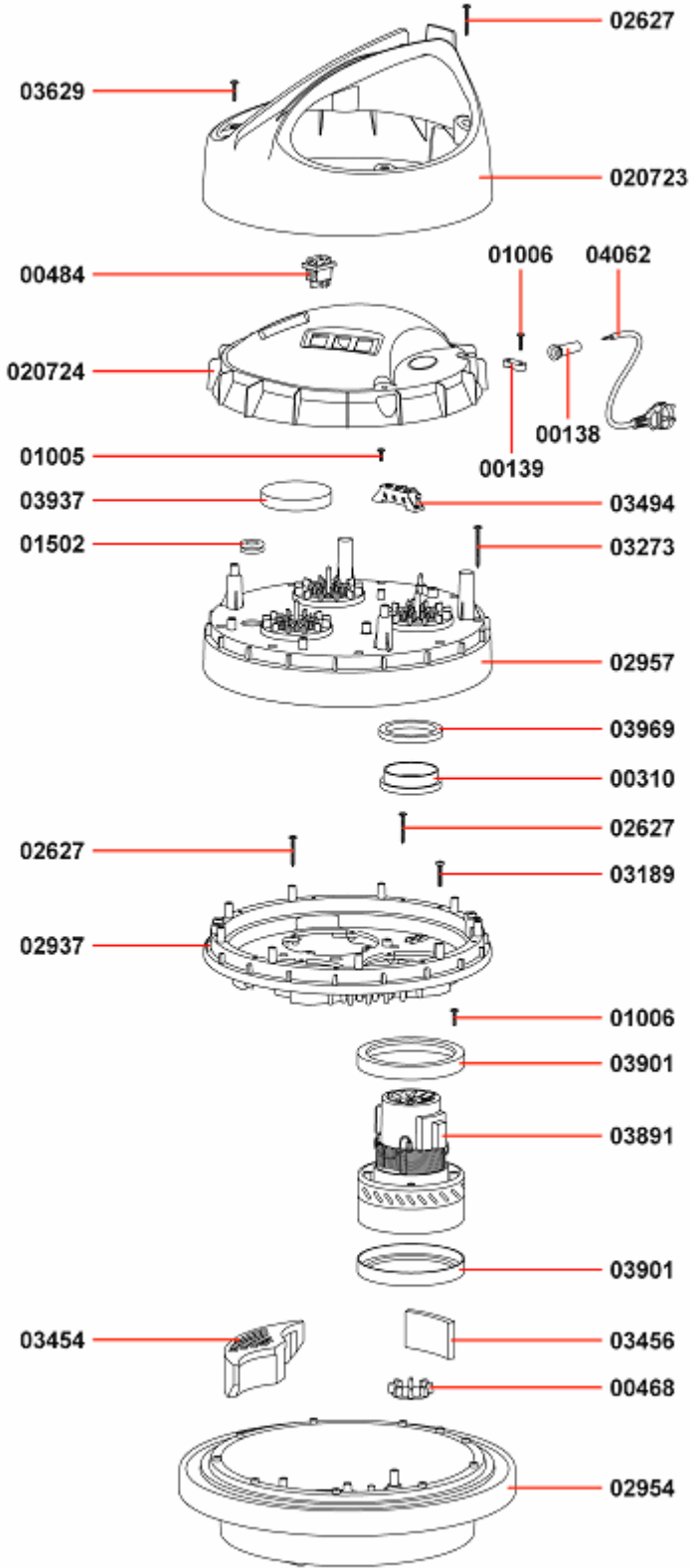




**HEAD 640 2ST W/PLATE** **021381/2P**

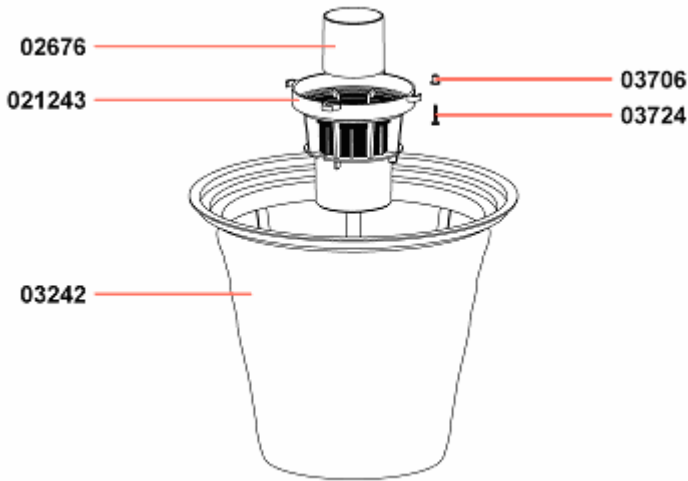


Codice	Descrizione	N°
00138	FAIRLEAD	1,00
00139	CABLE CLAMP	1,00
00310	PLASTIC RING FOR MOTOR H=15	3,00
00468	AUTOMATIC VALVE	3,00
00484	ANTISPLASH RED LIGHT SWITCHER	3,00
01005	SCREW PAT TMT PHL 5X14 ZN BLACK	2,00
01006	SCREW PFU TMT PHL 5X20 BLACK	1,00
01006	SCREW PFU TMT PHL 5X20 BLACK	12,00
01502	GUIDING SLIT FOR QUICK COUPLING	1,00
020723G6	HANDLE WINDLY 600 DARK GREY	1,00
020724A2	COVER WINDLY 600 AR-2000	1,00
02627	SCREW PAT TMT PHL 5X40 BLACK	2,00
02627	SCREW PAT TMT PHL 5X40 BLACK	9,00
02627	SCREW PAT TMT PHL 5X40 BLACK	3,00
02937G6	MOTOR-FASTENER NEV.600 GREY 6000	1,00
02954A2	BASE NEV.600 W/PLATE A2 COMP	1,00
02957G6	COVERING NEVADA 600 GREY 6000	1,00
03189	SCREW M 5X30 UNI 7687	1,00
03273	SCREW PAT TMT PHL 5X55 BLACK	9,00
03454	ANTINOISE TRIANGLE H=51	3,00
03456	GASKET MTP/30 AU-AD 50X10X85	3,00
03494	TERM.BOARD 400-600 3MOT.RAD	1,00
03629	SCREW PAT TMT PHL 5X25 BLACK	2,00
03891/E	MOT.BD302 1000W 220-240V 50-60HZ	3,00
03901	"L" GASKET W/O HOLES H=5,5	3,00
03901	"L" GASKET W/O HOLES H=5,5	3,00
03937	FILTER MTP/65 H=15 D.95	3,00
03969	WASHER H8 D85X65	3,00
04062	ELECTRIC CORD 2X1,5 MT.8,5	1,00
07632/PI L TP	ELECTRIC KIT 50CM POKE-IN MOTOR TP	3,00



**CONICAL FILTRATION KIT 600**

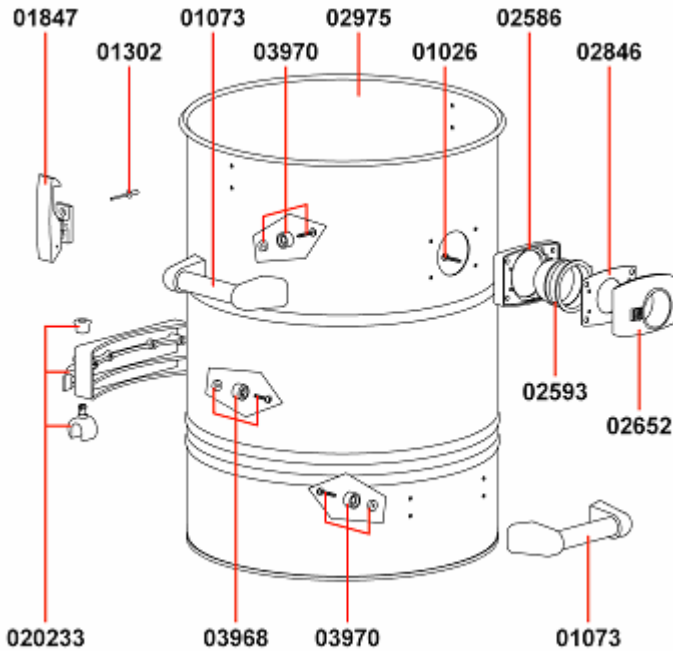
**03248**



Codice	Descrizione	N°
021243NE	NET ANTIFOAM BODY HIGH	1,00
02676-1 G	HIGH FLOAT 99 W/GASKET 37 SHA	1,00
03242 SAN	KIT RING+FILT+BASKET 600 CONIC. SAN	1,00
03706	PLASTIC SLEEVE D.8	4,00
03724	SCREW PAT TMT PHL 5X25	4,00

**MEC TIPP.TANK 600 AISI 430 COMP**

**02976 WINDLY**

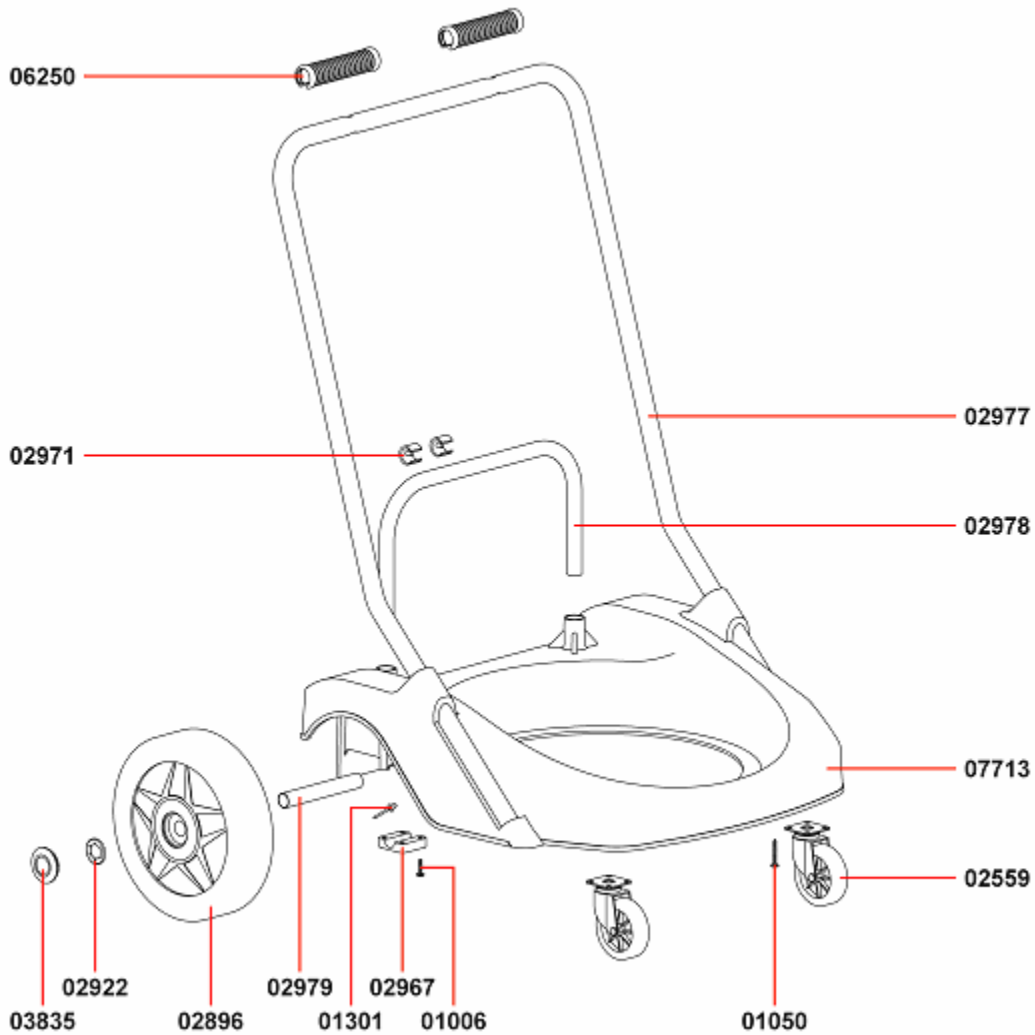


Codice	Descrizione	N°
01026	SCREW PAT TMT PHL 5X30 BLACK	4,00
01073	TANK HANDLE "V.F." ISSA	2,00
01073	TANK HANDLE "V.F." ISSA	1,00
01301	RIVET 5X11	4,00
01847/SG6	COMPLETE PLASTIC HOOK GREY6000	2,00
020233	BODY HINGE TIPPING COMP	1,00
02586G6	GASKET R 205 GREY 6000	1,00
02593	DEFLECTOR 99	1,00
02652 AG6 A2	INLET R155 G6000 W/PUSH BOTT.AR2000	1,00
02846	GASKET D.38	1,00
02975	TIPPING TANK NEVADA 600 AISI 430	1,00
03968	COMPLETE SEAL W/SCREW L=25	4,00
03970	COMPLETE SEAL W/SCREW L=30	8,00
03970	COMPLETE SEAL W/SCREW L=30	4,00



TIPPING TROLLEY NEVADA

02981



Codice	Descrizione	N°
01006	SCREW PFU TMT PHL 5X20 BLACK	8,00
01050	SCREW PAT TMT PHL 5X35 BLACK	8,00
01301	RIVET 5X11	2,00
02559	FLANGED WHEEL D.80	2,00
02896	WHEEL SR 250	2,00
02922	BLOC D.20	2,00
02967	LOCK PIVOT BRACKET	2,00
02971	HINGE POSITIONER	2,00
02977-1 V	NEVADA HANDLE BLACK VARN.	1,00
02978 V	CHROME HANDLE NEVADA	1,00
02979	WHEEL PIVOT D.20X140	2,00
03835NE	WHEEL CAP D.200/250 BLACK	2,00
06250	PLAST.TROLLEY HANDLE	2,00
07713	BODY TROLLEY NEVADA 600 BLACK	1,00