



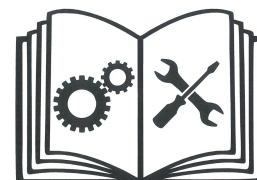
MOTOSPAZZATRICI PROFESSIONALI
PROFESSIONAL SWEEPERS
BALAYEUS PROFESIONAL
PROFESSIONELL KHERMASCHINEN
BARREDORA PROFESSIONAL

DUSTY 650 M

Spazzatrice Manuale
Manual Sweeper
Balayeus Manuel
Handkehrmaschinen
Barredora Manual



L-LC070.03-BM

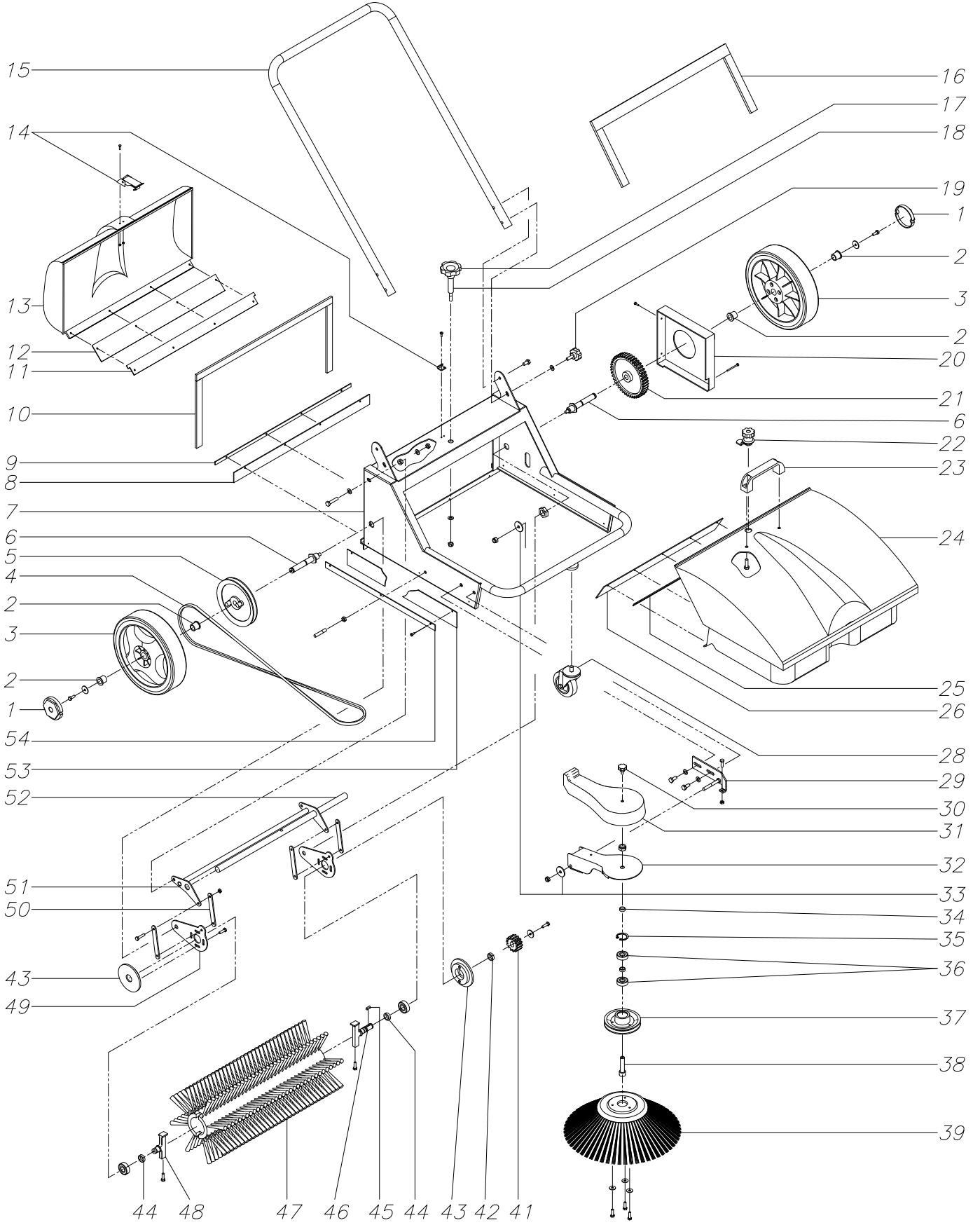


13/03/2019

ASS. DUSTY 650 M

EXPLODED VIEW

TABLE N° EXPL00022



REF	CODE	QTY	DESCRIPTION	DENOMINATION	BESCHREIBUNG	DESCRIPCION	DESCRIZIONE	TECNICAL FEATURES	PRICE LIST €
01	B. PLDS00045	02	CAP	BOUCHON	VERSCHLUSS	TAPPO	TAPPO		
02	B. TNBD00000	04	BUSHING	DOUILLE	BUCHSE	MANGUITO	BOCCOLA		
03	B. RUOT00005	02	WHEEL	ROUE	LAUFRAD	RUEDA	RUOTA		
04	B. CING00005	01	BELT	COURROIE	RIEMEN	CORREA	CINGHIA		
05	B. TNPU00010	01	PULLEY	POULIE	RIEMENSCHLEIBE	POLEA	PULEGGIA		
06	B. TNPE00022	02	PIN	PIVOT	SCHARNIER	PERNO	PERNO		
07	B. CRVR00040	01	FRAME	CHASSIS	GERUST	CHASIS	TELAIO		
08	B. GUAR00018	01	FLAP	FLAP	FLAP	FLAP	FLAP		
09	B. CRDS00205	01	PLATE	PLAT	TELLER	PLATO	PIATTO		
10	B. GUAR00057	01	GASKET	GARNITURE	DICHTUNG	GUARNICION	GUARNIZIONE		
11	B. CRDS00513	01	PLATE	PLAT	TELLER	PLATO	PIATTO		
12	B. GUAR00085	01	FLAP	FLAP	FLAP	FLAP	FLAP		
13	B. PLDS00026	01	DRAWER	TIROIR	SCHIEBERKASTEN	CAJON	CASSETTO	RED / ROUGE / ROSSO	
14	B. CMSP00008	01	DRAW LATCHERS	VERROUS	BETRAG-VERRIEG.	CIERRES	CHIUSSURA		
15	B. CRVR00034	01	HANDLE	POIGNEE	SCHAKEL	MANILLAR	MANIGLIONE		
16	B. GUAR00058	01	GASKET	GARNITURE	DICHTUNG	GUARNICION	GUARNIZIONE		
17	B. CMMP00064	01	KNOB	POIGNEE	KNAUP	POMULO	POMELLO		
18	B. TNPE00019	01	PIN	PIVOT	SCHARNIER	PERNO	PERNO		
19	B. CMMP00101	02	KNOB	POIGNEE	KNAUP	POMULO	POMELLO		
20	B. PLDS00015	01	CRANKCASE	CARTER	GEHAUSE	CARTER	CARTER		
21	B. TNSP00005	01	GEAR	VITESSE	ZAHNARD	ENGRANAJE	INGRANAGGIO		
22	B. CMSP00032	01	DRAW LATCHERS	VERROUS	BETRAG-VERRIEG.	CIERRES	CHIUSSURA		
23	B. CMMP00094	01	HANDLE	POGNEE	GRIFF	TIRADOR	MANIGLIA		
24	B. PLDS00022	01	DRAWER	TIROIR	SCHIEBERKASTEN	CAJON	CASSETTO	RED / ROUGE / ROSSO	
25	B. CRDS00206	01	PLATE	PLAT	TELLER	PLATO	PIATTO		
26	B. GUAR00012	01	FLAP	FLAP	FLAP	FLAP	FLAP		
28	B. RUOT00008	01	WHEEL	ROUE	LAUFRAD	RUEDA	RUOTA		
29	B. CRDS00301	01	SUPPORT	SUPPORT	HALTER	SOPORTE	SUPPORTO		
30	B. CMMP00093	01	KNOB	POIGNEE	KNAUP	POMULO	POMELLO		
31	B. PLDS00114	01	CRANKCASE	CARTER	GEHAUSE	CARTER	CARTER		
32	B. CRVR00027	01	SUPPORT	SUPPORT	HALTER	SOPORTE	SUPPORTO		
33	B. MOLL00029	01	SPRING	RESSORT	FEDER	MUELLE	MOLLA		
34	B. TNBD00040	02	SPACER	ENTRETOISE	DISTANZSTUCK	DISTANCIADOR	DISTANZIALE		
35	B. VTAN00008	01	SEEGER	SEEGER	SEEGER	SEEGER	SEEGER		
36	B. CUSC00009	02	BEARING	ROULEMENT	LAGER	COJINETE	CUSCINETTO		
37	B. TNPU00016	01	PULLEY	POULIE	RIEMENSCHLEIBE	POLEA	PULEGGIA		
38	B. TNPE00012	01	SCREW	VIS	SCHRAUBE	TORNILLO	VITE		
39	B. SPAZ00011	01	BRUSH	BROSSE	BUERSTE	CEPILLO	SPAZZOLA		
41	B. TNSP00006	01	GEAR	VITESSE	ZAHNARD	ENGRANAJE	INGRANAGGIO		
42	B. TNBD00060	01	SPACER	ENTRETOISE	DISTANZSTUCK	DISTANCIADOR	DISTANZIALE		
43	B. CRDS00099	02	FLANGE	BRIDE	FLANSCH	BRIDA	FLANGIA		
44	B. TNBD00019	02	SPACER	ENTRETOISE	DISTANZSTUCK	DISTANCIADOR	DISTANZIALE		
45	B. VTSP00039	01	KEY	CLAVETTE	KEIL	CHAVETA	CHIAVETTA		
46	B. TNPE00004	01	PIN	PIVOT	SCHARNIER	PERNO	PERNO		
47	B. SPAZ00004	01	BRUSH	BROSSE	BUERSTE	CEPILLO	SPAZZOLA		
48	B. TNPE00015	01	PIN	PIVOT	SCHARNIER	PERNO	PERNO		
49	B. CRDS00267	02	SUPPORT	SUPPORT	HALTER	SOPORTE	SUPPORTO		
50	B. CRDS00189	04	PLATE	PLAT	TELLER	PLATO	PIATTO		
51	B. CRAS00023	01	SUPPORT	SUPPORT	HALTER	SOPORTE	SUPPORTO		
52	B. CRDS00353	01	AXLE	AXE	ACHESE	EJE	ASSE		
53	B. GUAR00015	02	FLAP	FLAP	FLAP	FLAP	FLAP		
54	B. CRDS00204	02	PLATE	PLAT	TELLER	PLATO	PIATTO		



BIEMMEDUE S.p.A. - Via Industria, 12 - 12062 - CHERASCO (CN) - Italy
Tel. +39 0172 486111 - Fax +39 0172 488270
www.biemmedue.com - e-mail: bm2@biemmedue.com