

R 44-450 High-Speed

Table contents

Stand: 31.03.2017 16:12

R 44-450 High-Speed



Stieloberteil
Partie supérieure en avant
Top part front side
B 5 / ST 5

Sprühgerät
Vaporisateur
Spray unit
B 6 / ST 6

Absaugung kompl.
Anneau d'aspiration compl.
Vacuum complete
B 7 / ST 7

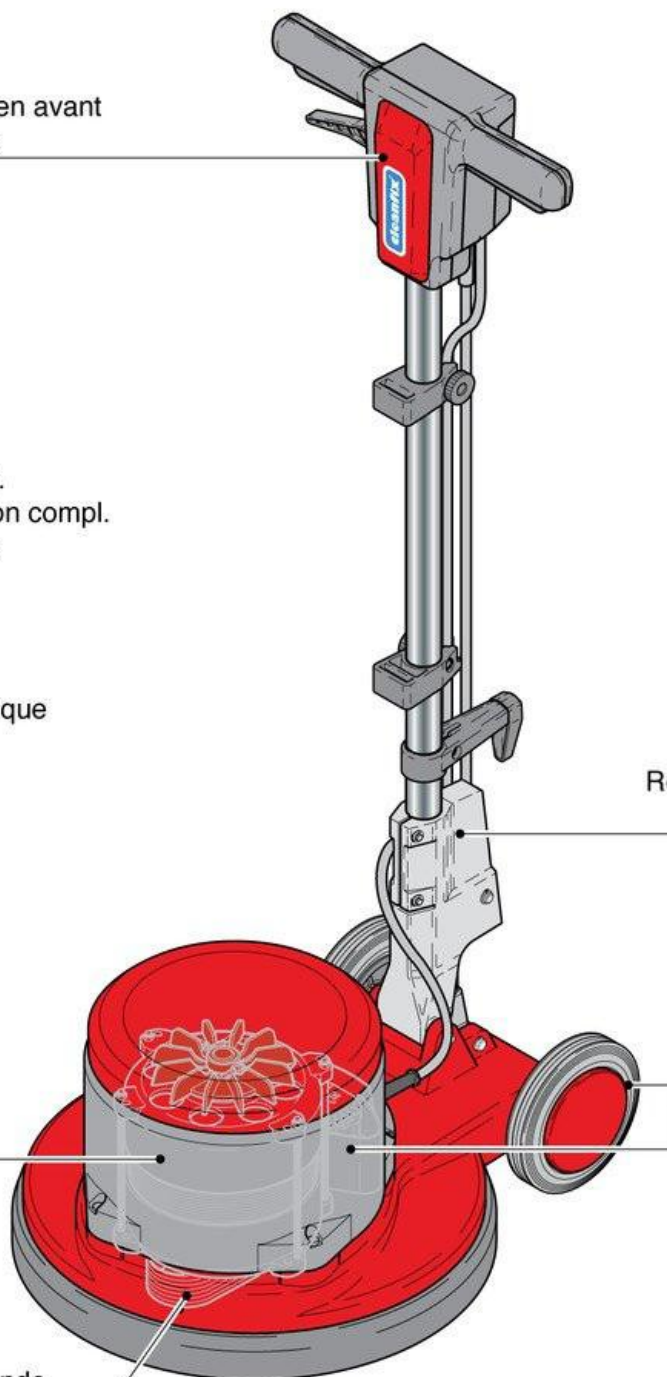
Stromlaufplan
Diagramme électrique
Wiring diagram
B 8 / ST 8

Stielversteller
Règlage du manche
Shaft adjuster
B 4 / ST 4

Motor
Moteur
B 1 / ST 1

Elektronik und
Fahrwerk
Electronique et
train de transport
Electronic and
drive axle
B 3 / ST 3

Antriebsteile
Pieces de commande
Driving pieces
B 2 / ST 2, bis Masch. Nr., à des appareils no.
up to machine no.9212
B 2a / ST 2a, ab Masch. Nr., à partir de appareils no.
as from machine no. 9213



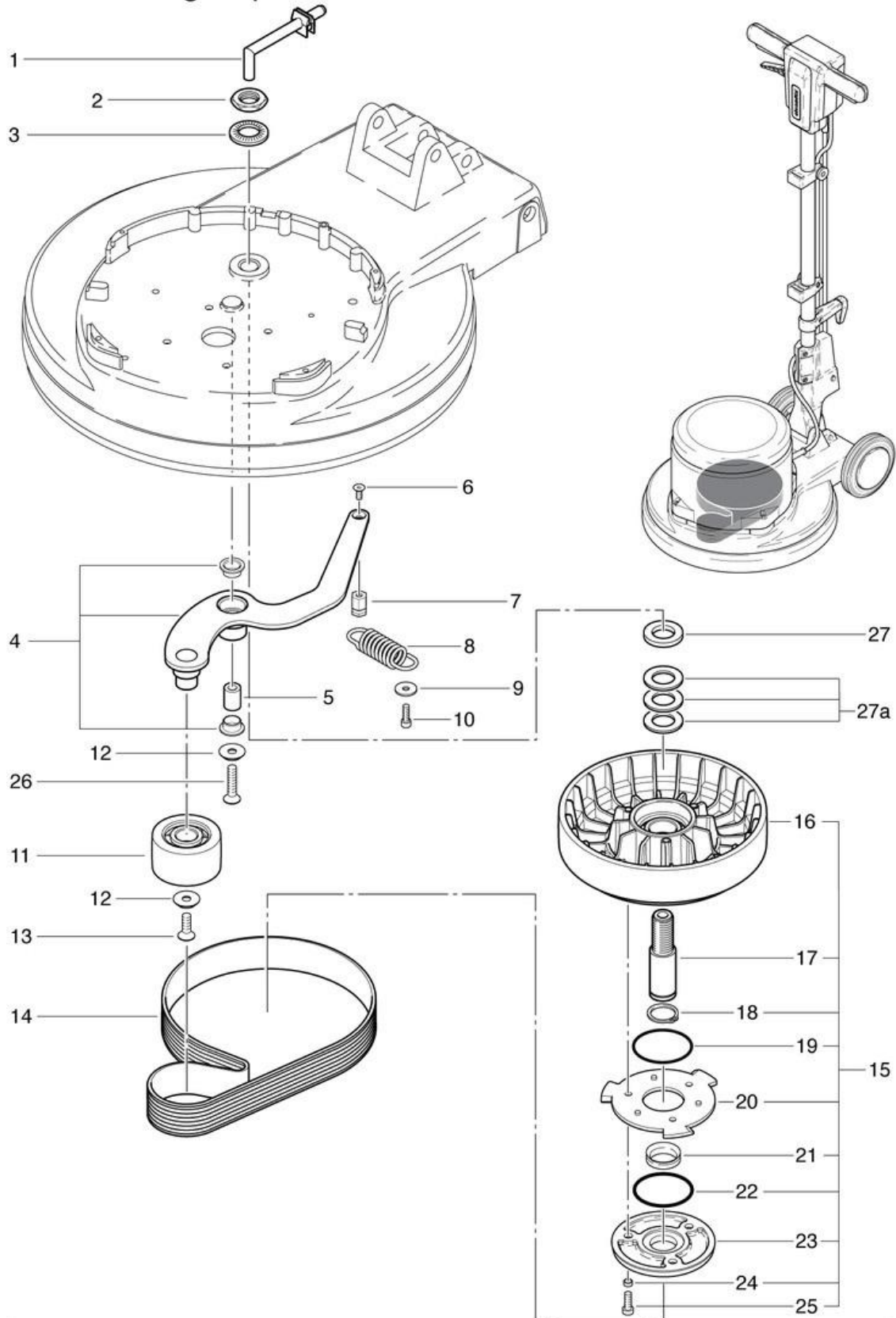
R 44-450 High-Speed

Driving pieces from machine No. 9213

Stand: 31.03.2017 16:12



R 44-450 High-Speed



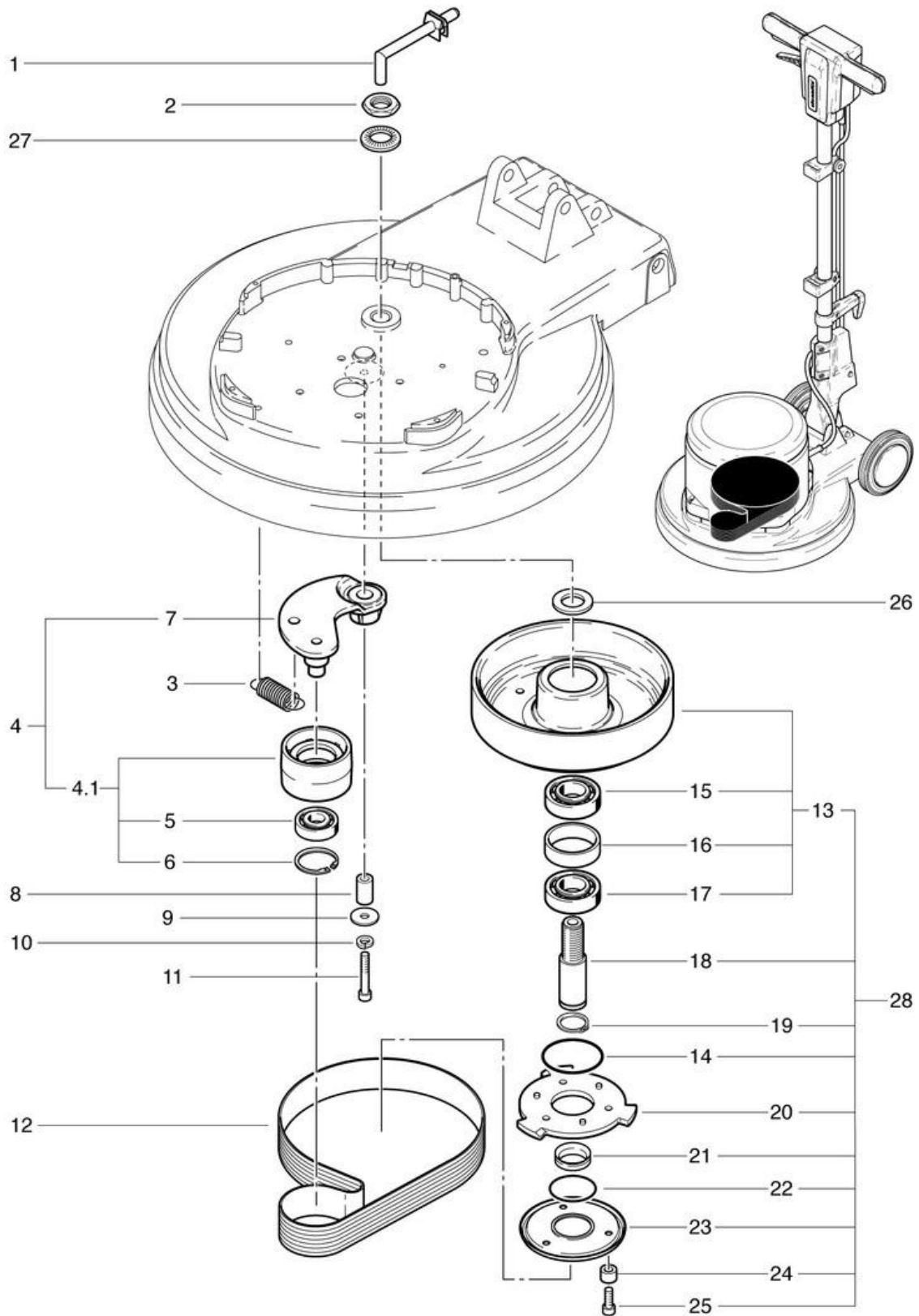
R 44-450 High-Speed

Driving pieces Masch.Nr up 9212

Stand: 31.03.2017 16:12



R 44-450 High-Speed



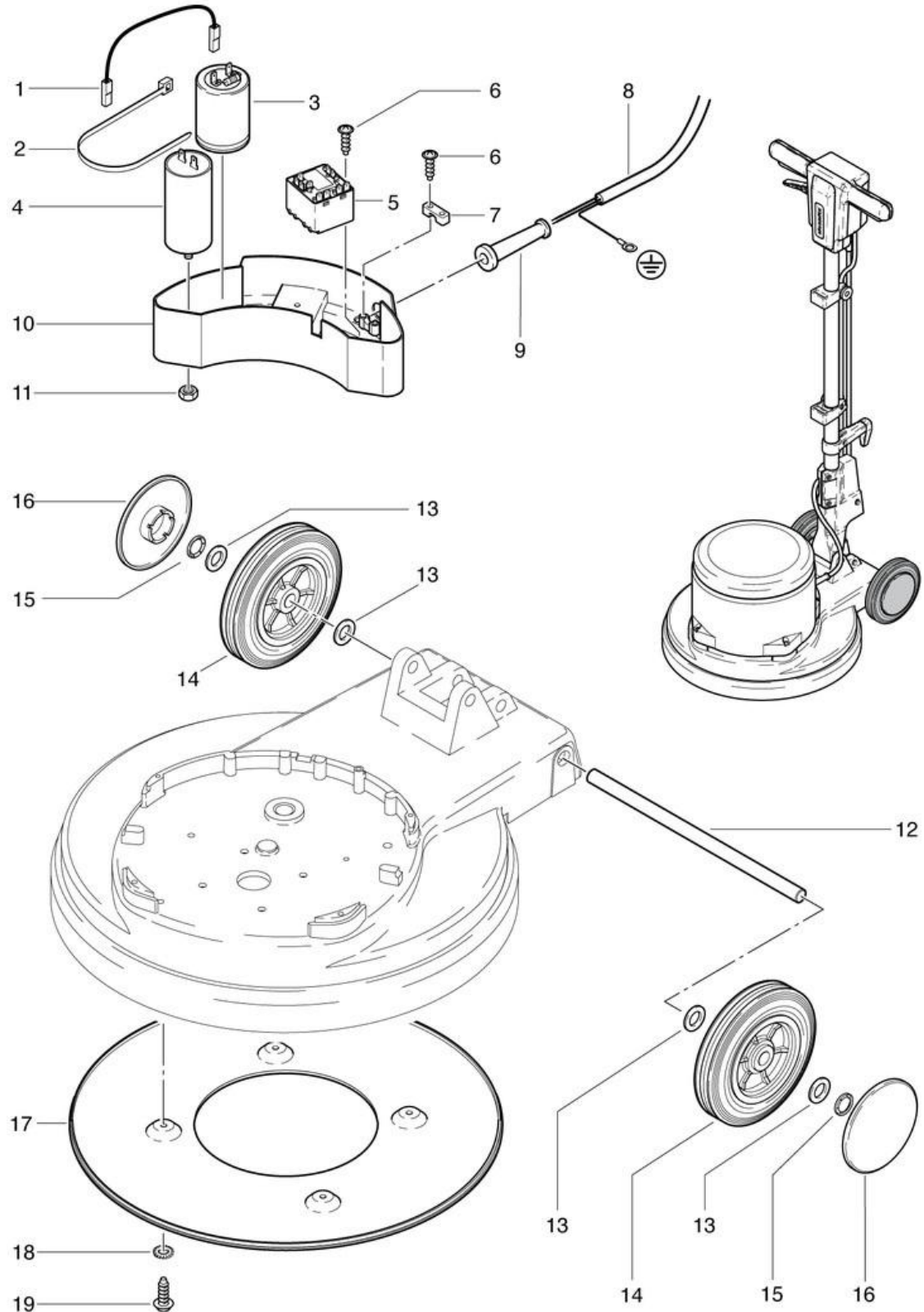
R 44-450 High-Speed

Electronic and drive axle

Stand: 31.03.2017 16:13



R 44-450 High-Speed



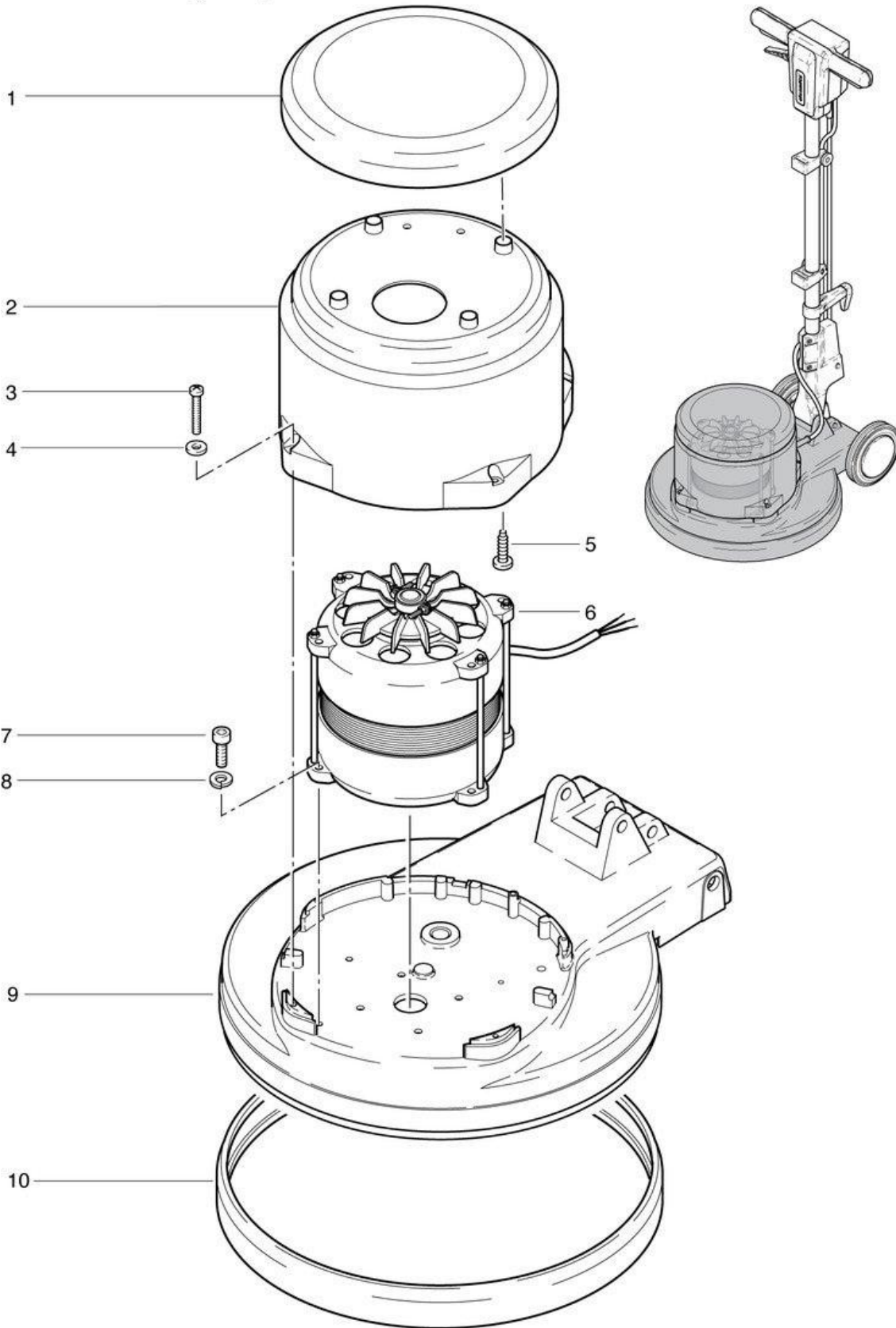
R 44-450 High-Speed

Motor

Stand: 31.03.2017 16:12



R 44-450 High-Speed



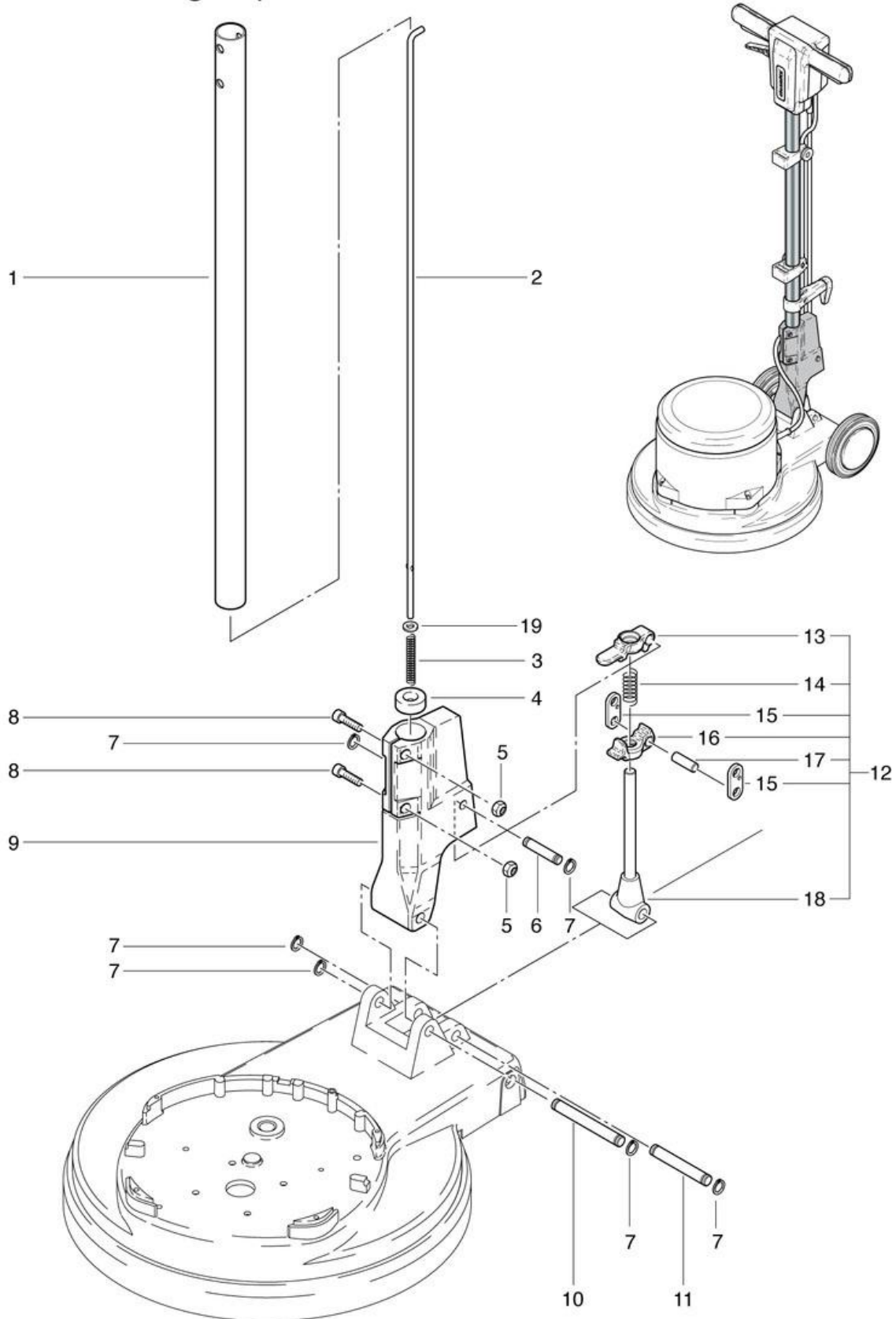
R 44-450 High-Speed

Shaft adjuster

Stand: 31.03.2017 16:13



R 44-450 High-Speed

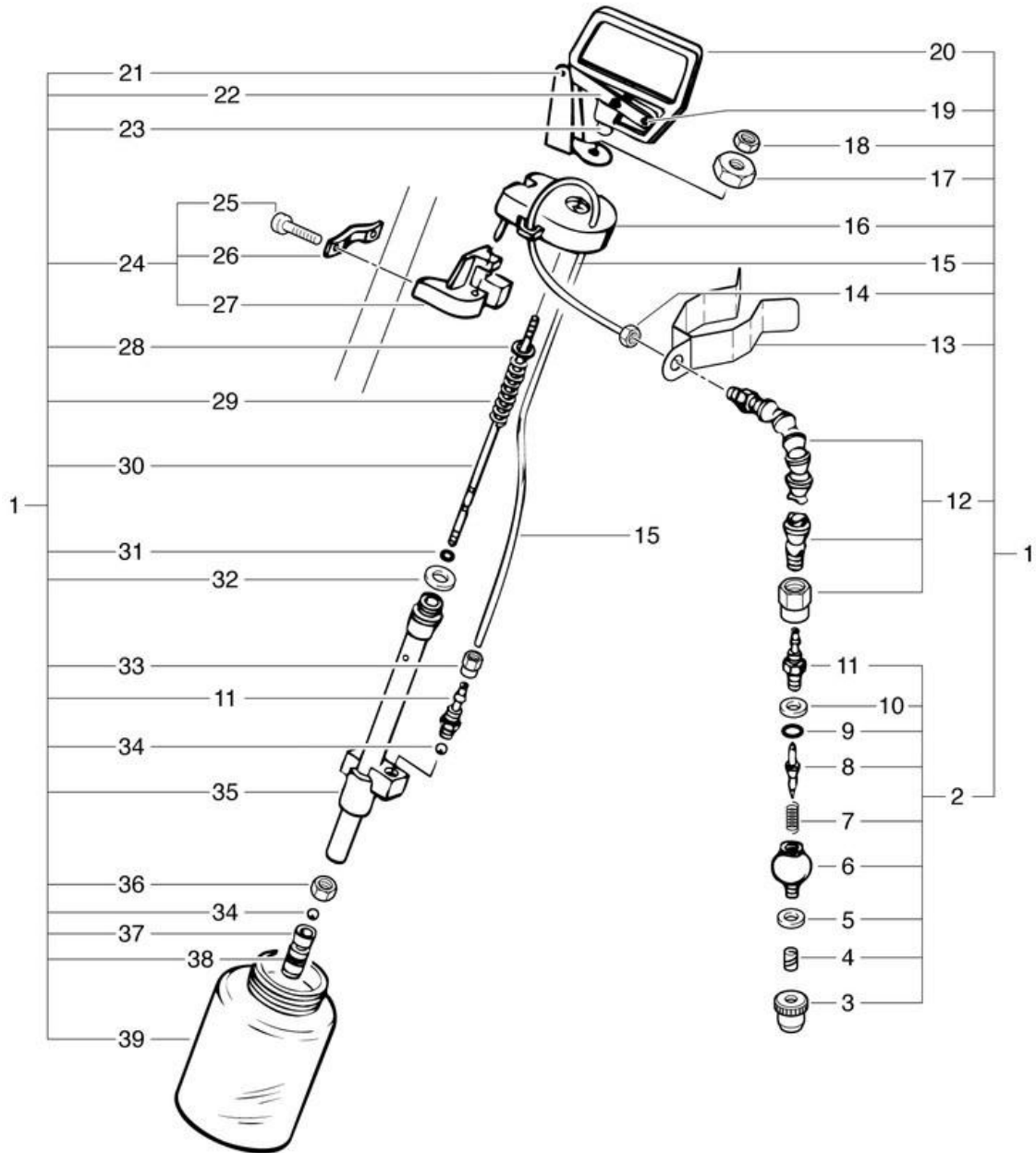


R 44-450 High-Speed

Spray unit

Stand: 31.03.2017 16:13

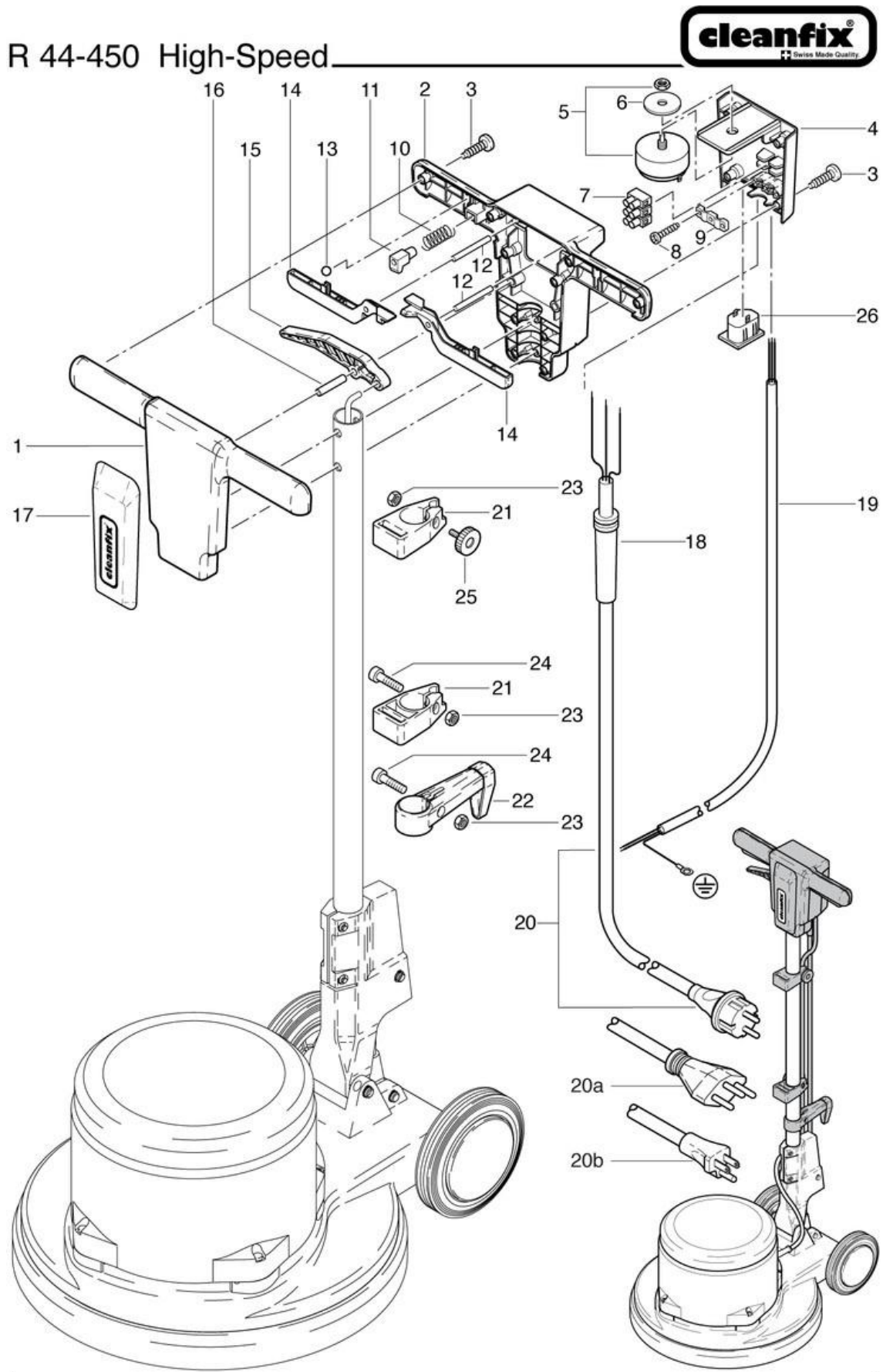
R 44-450 High-Speed



R 44-450 High-Speed

Top part front side

Stand: 31.03.2017 16:13



R 44-450 High-Speed

Vacuum complete

Stand: 31.03.2017 16:13

R 44-450 High-Speed

