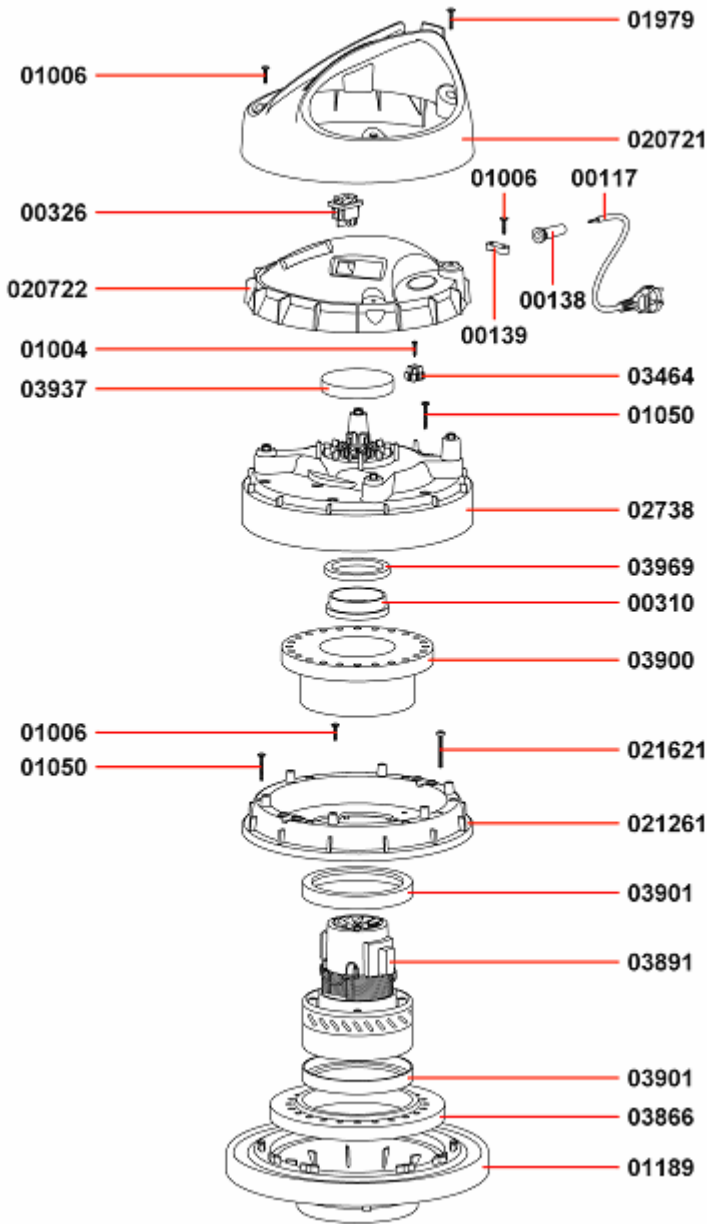




HEAD 215/515 2ST W/PLATE

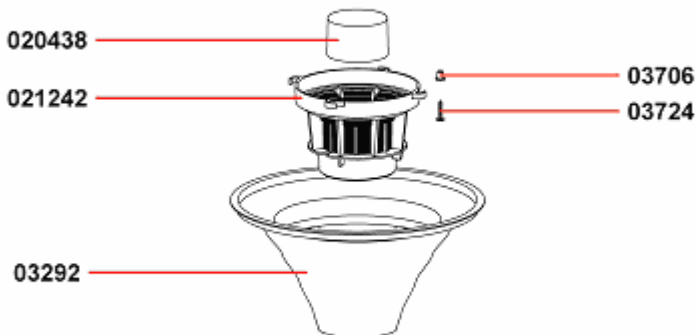
021045/2P



Codice	Descrizione	N°
00117	ELECTRIC CORD 2X1 MT.8,5	1,00
00138	FAIRLEAD	1,00
00139	CABLE CLAMP	1,00
00310	PLASTIC RING FOR MOTOR H=15	1,00
00326	ANTISPLASH SWITCH	1,00
01004	SCREW PAT TCB 4,5X20 ZN BLACK	1,00
01006	SCREW PFU TMT PHL 5X20 BLACK	2,00
01006	SCREW PFU TMT PHL 5X20 BLACK	1,00
01006	SCREW PFU TMT PHL 5X20 BLACK	4,00
01050	SCREW PAT TMT PHL 5X35 BLACK	6,00
01050	SCREW PAT TMT PHL 5X35 BLACK	6,00
01189 GPA2	BASE 500 W/GASKET+PLATE AR2000	1,00
01979	SCREW PFU TMT PHL 5X25 ZN BLACK	2,00
020721G6	HANDLE WINDLY 500 G6000	1,00
020722A2	COVER WINDLY 500 ORANGE 2000	1,00
021261G6	MOT.FASTENER 500 GREY6000	1,00
021621	SCREW TC M 5X45 UNI 7687	1,00
02738-1G6	COVERING 99 W/OUT WHEEL GREY 6000	1,00
03464	TERMINAL BOARD 300/500 EU/NEV	1,00
03866	WASHER MTP 65MM 18D.230X145	1,00
03891/E	MOT.BD302 1000W 220-240V 50-60HZ	1,00
03900	FOAM FILTER H=75	1,00
03901	"L" GASKET W/O HOLES H=5,5	1,00
03901	"L" GASKET W/O HOLES H=5,5	1,00
03937	FILTER MTP/65 H=15 D.95	1,00
03969	WASHER H8 D85X65	1,00
07632/PI TP	ELECTR. KIT 40CM MOTOR POKE-IN TP	1,00

CONICAL FILTRATION KIT 500 LOWER

03246

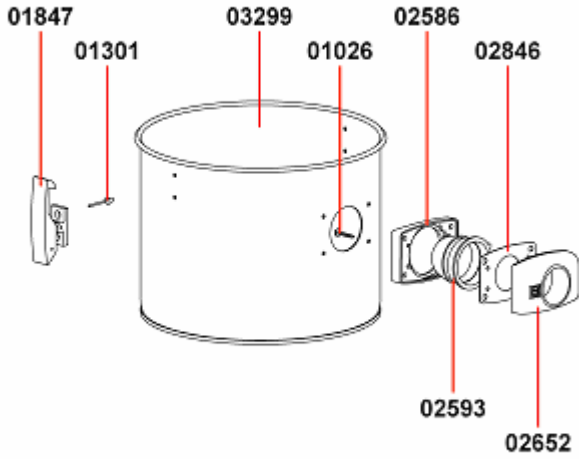


Codice	Descrizione	N°
020438	LEO FLOAT WET&DRY	1,00
021242NE	NET ANTIFOAM BODY LOW	1,00
03292 SAN	KIT RING+FILT+BASK 500 CONIC. SAN	1,00
03706	PLASTIC SLEEVE D.8	4,00
03724	SCREW PAT TMT PHL 5X25	4,00



TANK 215 AISI 430 H=240 G6/A2 COMP

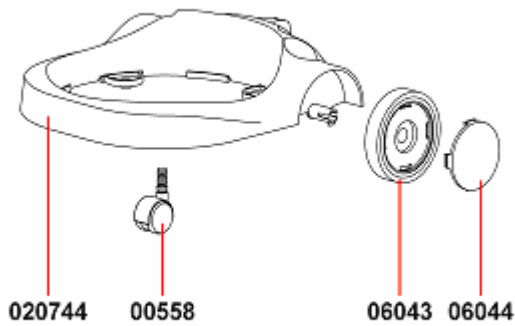
03300 G6/A2



Codice	Descrizione	N°
01026	SCREW PAT TMT PHL 5X30 BLACK	4,00
01301	RIVET 5X11	4,00
01847/SG6	COMPLETE PLASTIC HOOK GREY6000	2,00
02586G6	GASKET R 205 GREY 6000	1,00
02593	DEFLECTOR 99	1,00
02652 AG6 A2	INLET R155 G6000 W/PUSH BOTT.AR2000	1,00
02846	GASKET D.38	1,00
03299	TANK 215 AISI 430 H=260	1,00

VEGAS TROLLEY 500 COMPLETE

020884NE



Codice	Descrizione	N°
00558	TROLLEY BOX WHEEL	2,00
020744NE	TROLLEY BODY 500 VEGAS BLACK	1,00
06043	WHEEL BODY YES	2,00
06044NE	WHEEL COVERING YES BLACK	2,00