

# RA 605 IBCT

## Contents

Stand: 31.03.2017 20:59



### RA 605 IBCT

Zusammenbau-Aufbauten-Stossbügel  
**B 7 / ST 7**

Steuereinheit  
Unité de contrôle  
Control unit  
**B 6 / ST 6**

Option Chemie-  
dosierung  
**B 19 / ST 19**

Schmutzwassertank  
Recipient d'eau sale  
Waste water tank  
**B 2 / ST 2**

Batterie  
Battery  
**B 4 / ST 4**

Saugdüse gebogen  
Bec de dévolteur courbé  
Suction nozzle curved  
**B 16 / ST 16**

Saugdüsenaufhängung  
Suspension de bec de volteur  
Suction nozzle suspension  
**B 15 / ST 15**

Wasserverteilung  
Distribution d'eau  
Water distribution  
**B 11 / ST 11 - B 11a / ST 11a**

Pumpe NDS-X  
Pompe NDS-X  
Pump NDS-X  
**B 12 / ST 12**

Hubmechanik  
Mécanisme de levage  
Cam mechanic  
**B 5 / ST 5**

Schlauchsystem  
System de tuyau  
Hosesystem  
**B 17 / ST 17 - B 17a / ST 17a**

Stromlaufplan  
Diagramme électrique  
Wiring diagram  
**B 20**

Schlauchsystem-Dosierung  
**B 18 / ST 18**  
**B 18a / ST 18a**

Gebläsekasten  
**B 8 / ST 8**

Steuerung Gebläse  
Unité de contrôle moteur d'aspiration  
Control unit vacuum motor  
**B 9 / ST 9**

Steuerung  
Contrôle  
Control  
**B 10 / 10a / ST 10**

Deckel Schmutzwassertank  
Couvercle waster  
Cover waste water tank  
**B 3 / ST 3**

Frischwassertank  
Recipient d'eau propre  
Fresh water tank  
**B 1 / ST 1**

Bürstkopf doppelt  
Tête de brosse double  
Brush head twice  
**B 13 / 13a / ST 13 / 13a**

Zusammenbau  
Fahrwerk-Bürstkopf  
**B 14 / ST 14**

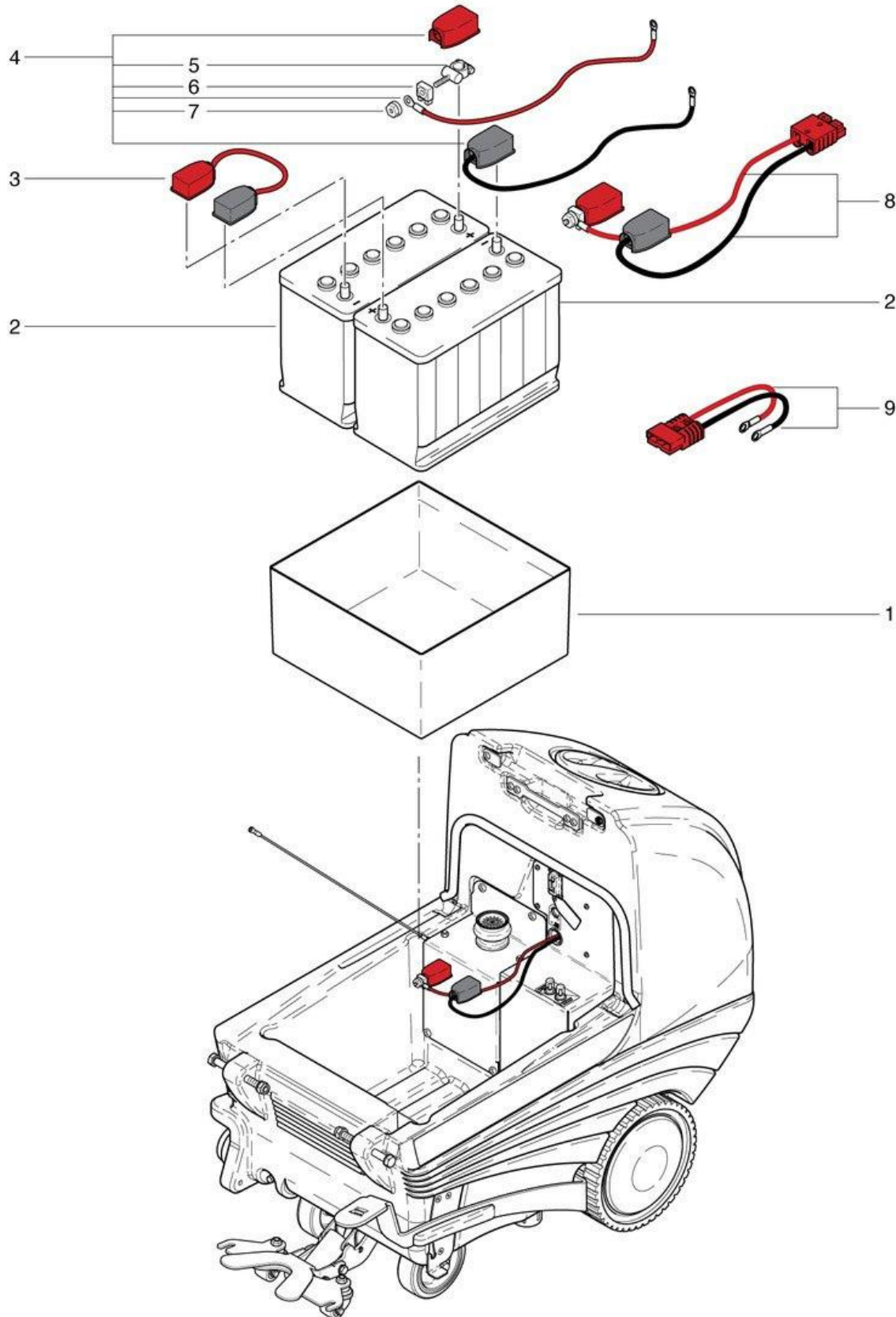
# RA 605 IBCT

## Batterie

Stand: 31.03.2017 21:00



RA 505/605 IBC/IBCT



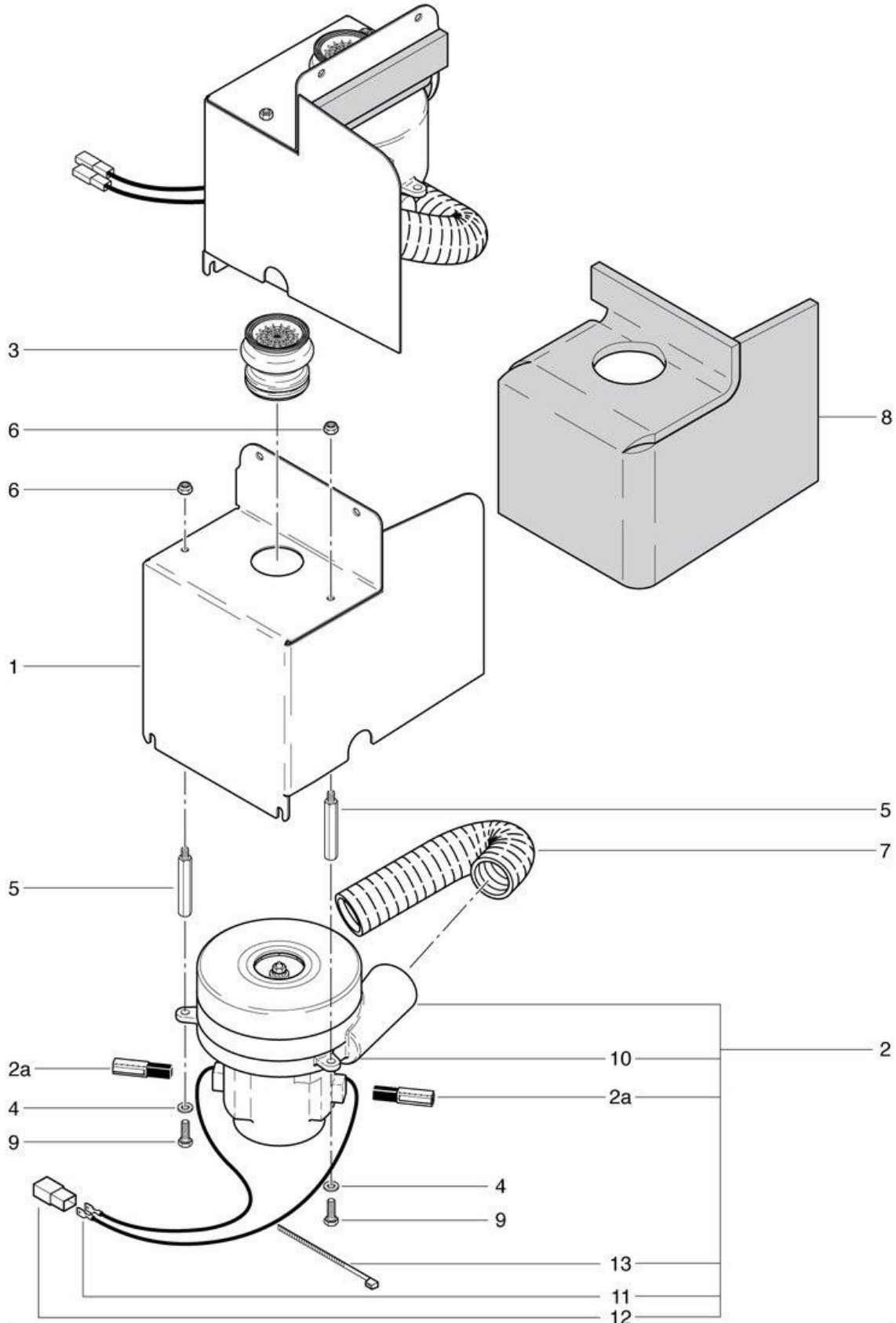
# RA 605 IBCT

## blower box

Stand: 31.03.2017 21:01



RA 505/605 IBC/IBCT



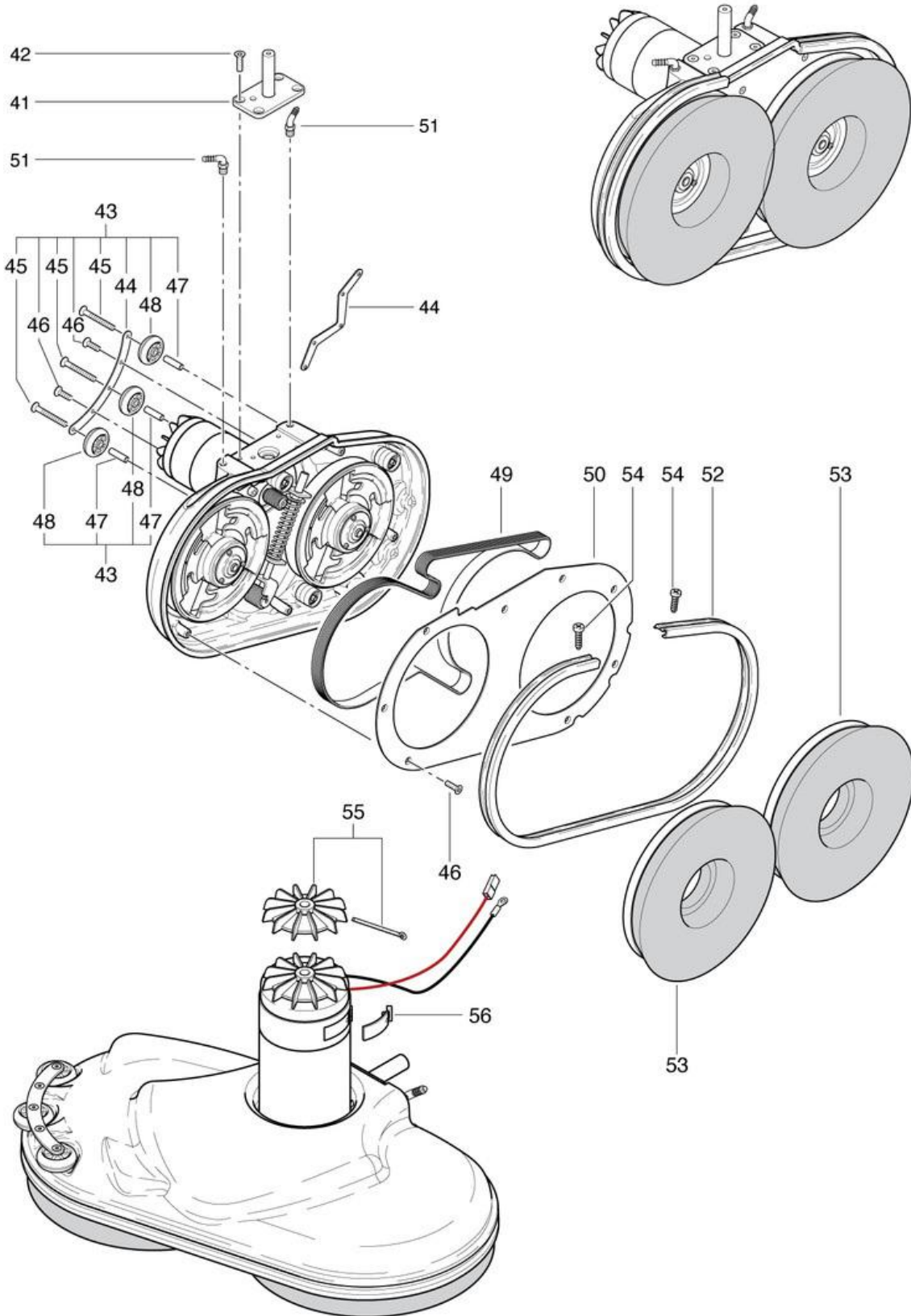
# RA 605 IBCT

## Brush head twice-a

Stand: 31.03.2017 21:02



### RA 605 IBCT





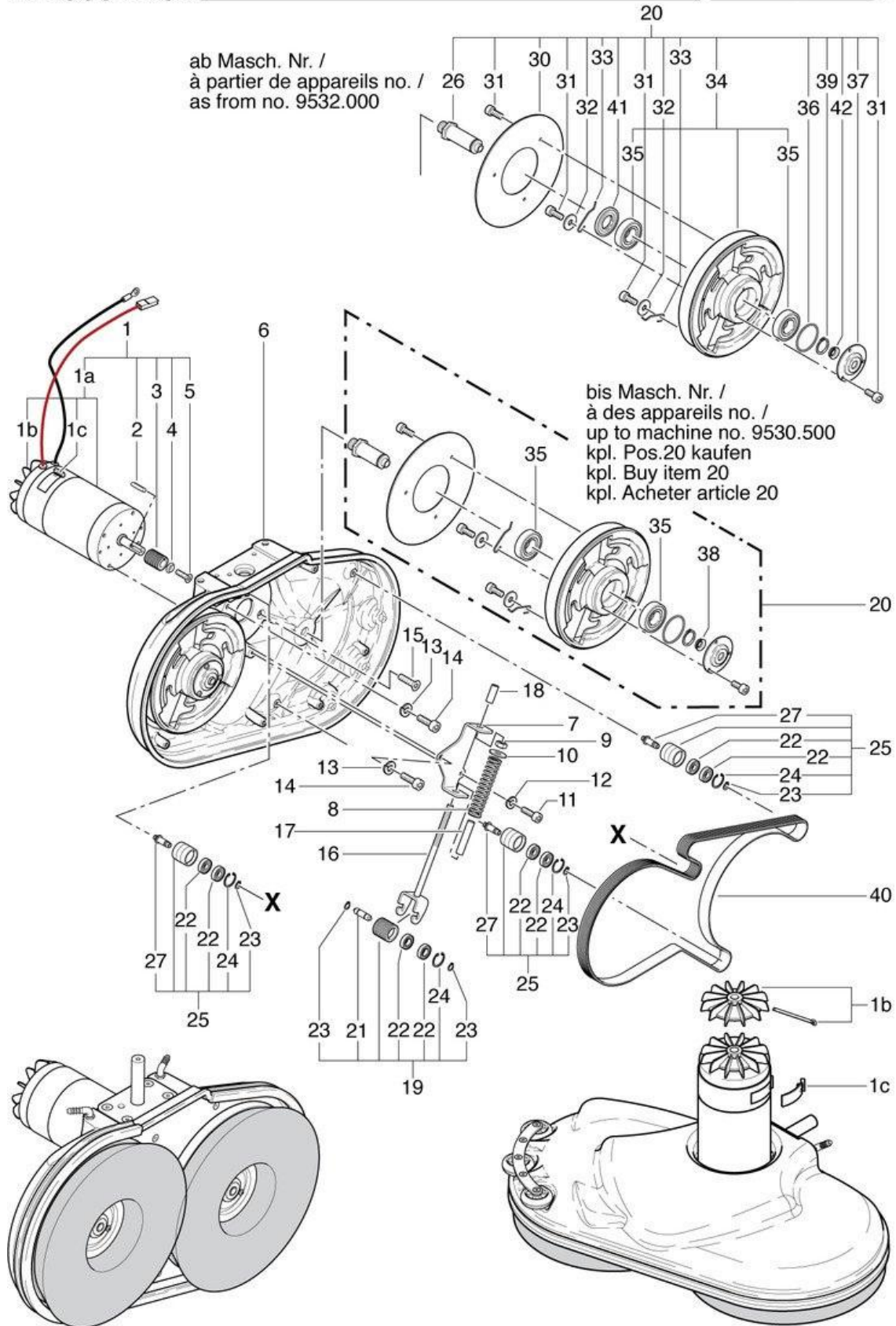
# RA 605 IBCT

## Brush head twice

Stand: 31.03.2017 21:03



RA 605 IBCT



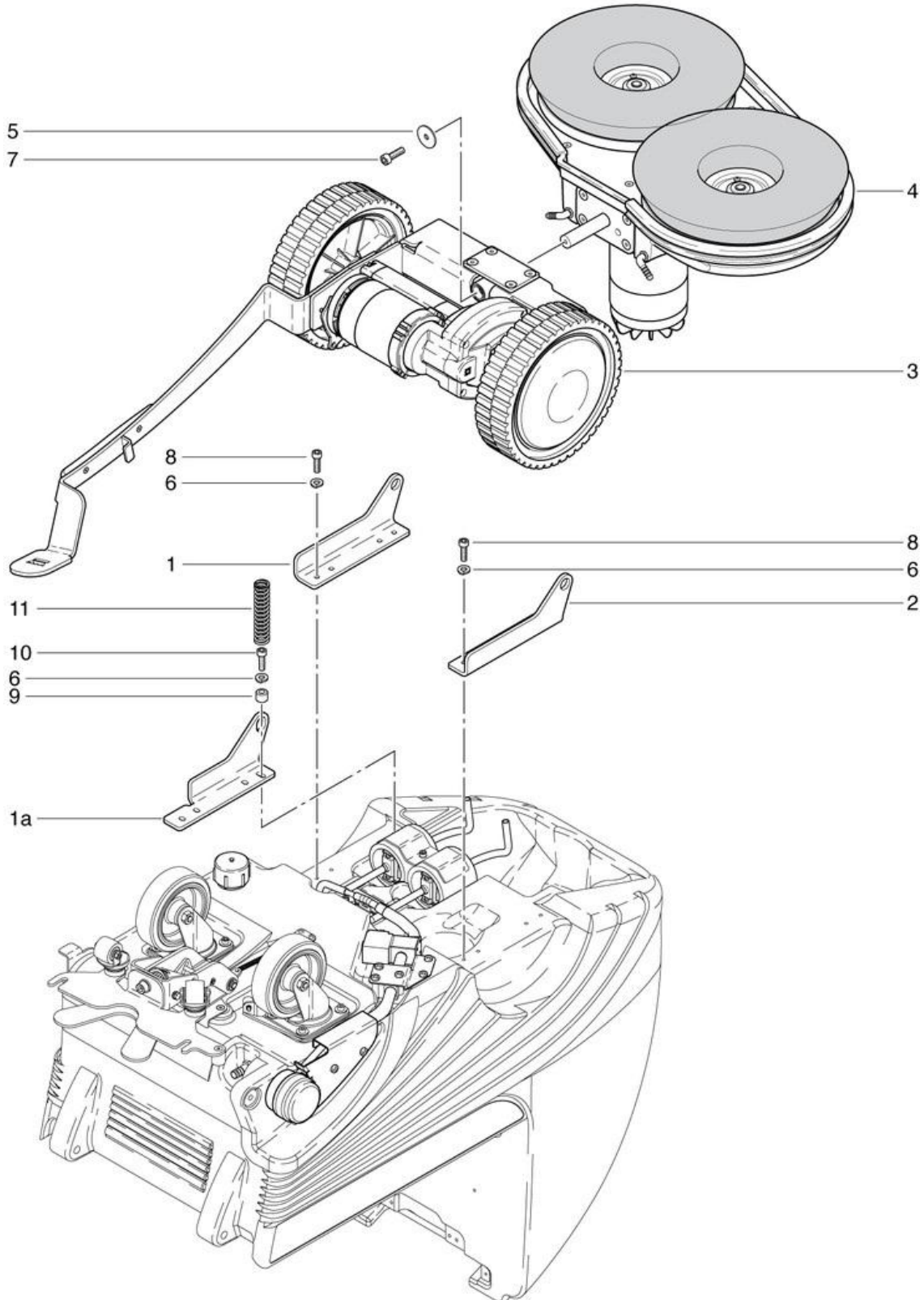
# RA 605 IBCT

## Chassis assembly brush head

Stand: 31.03.2017 21:04



RA 605 IBCT



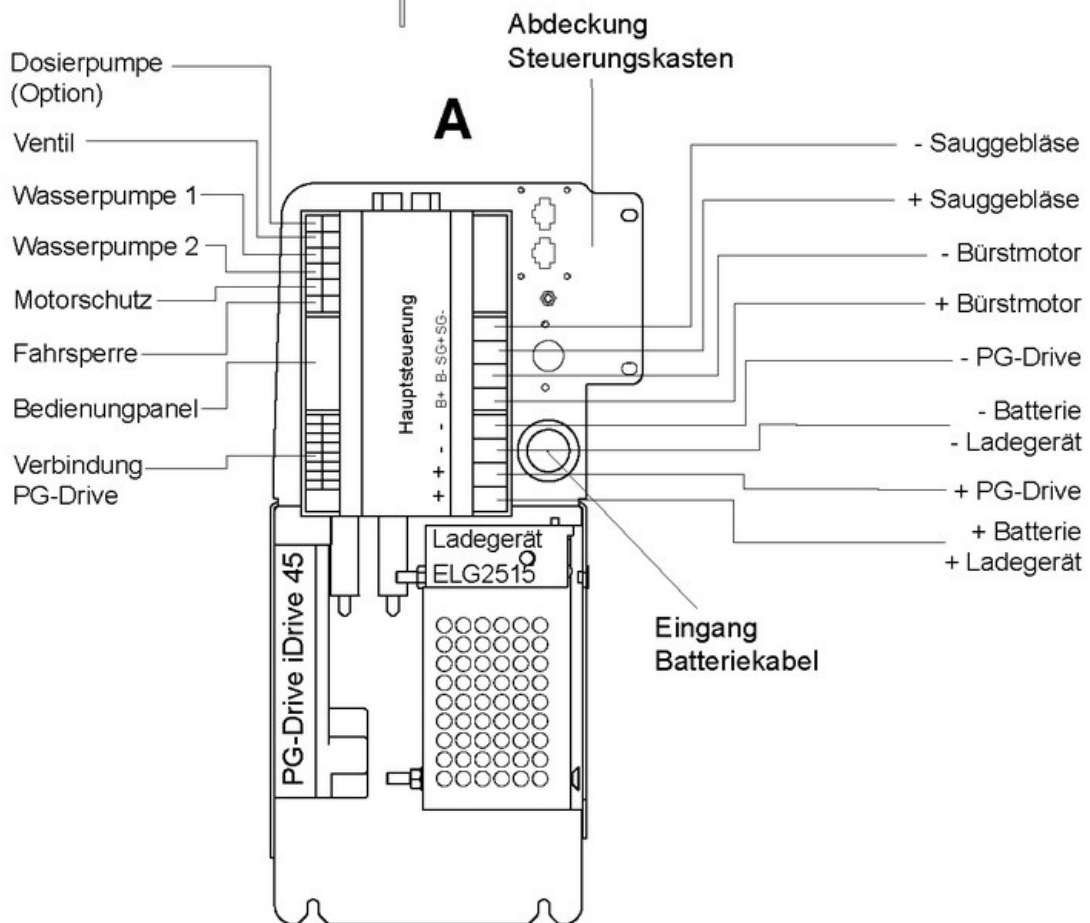
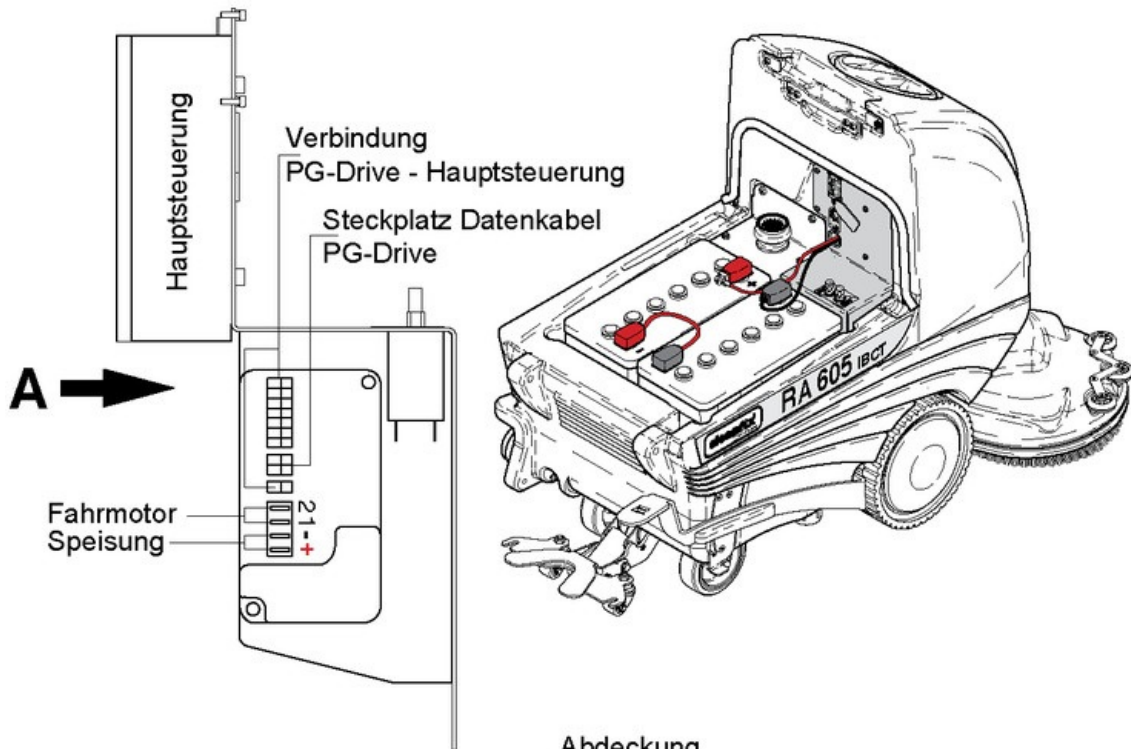
# RA 605 IBCT

## Control - a

Stand: 31.03.2017 21:32



RA 605 IBCT





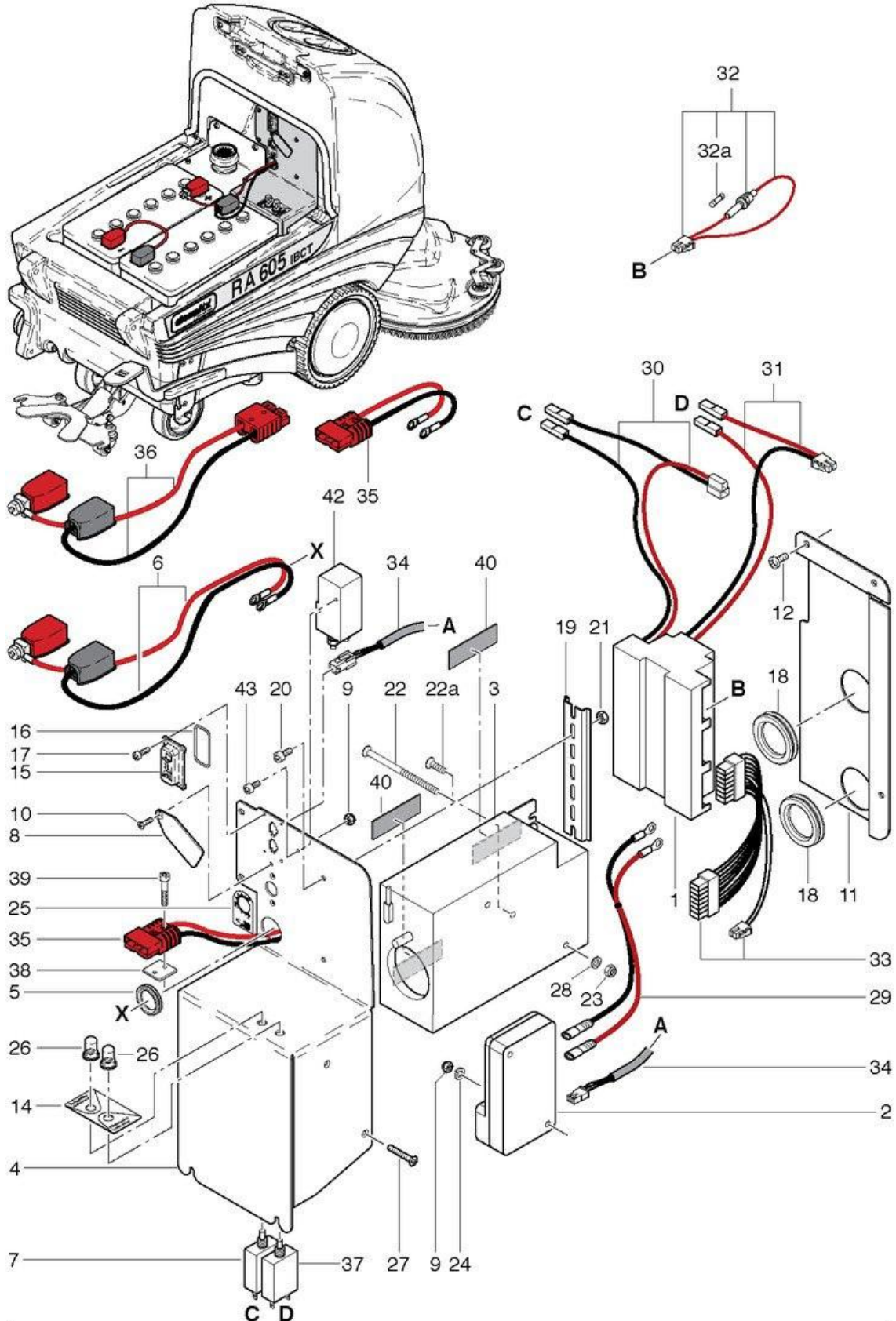
# RA 605 IBCT

## Control

Stand: 31.03.2017 21:01



RA 605 IBCT





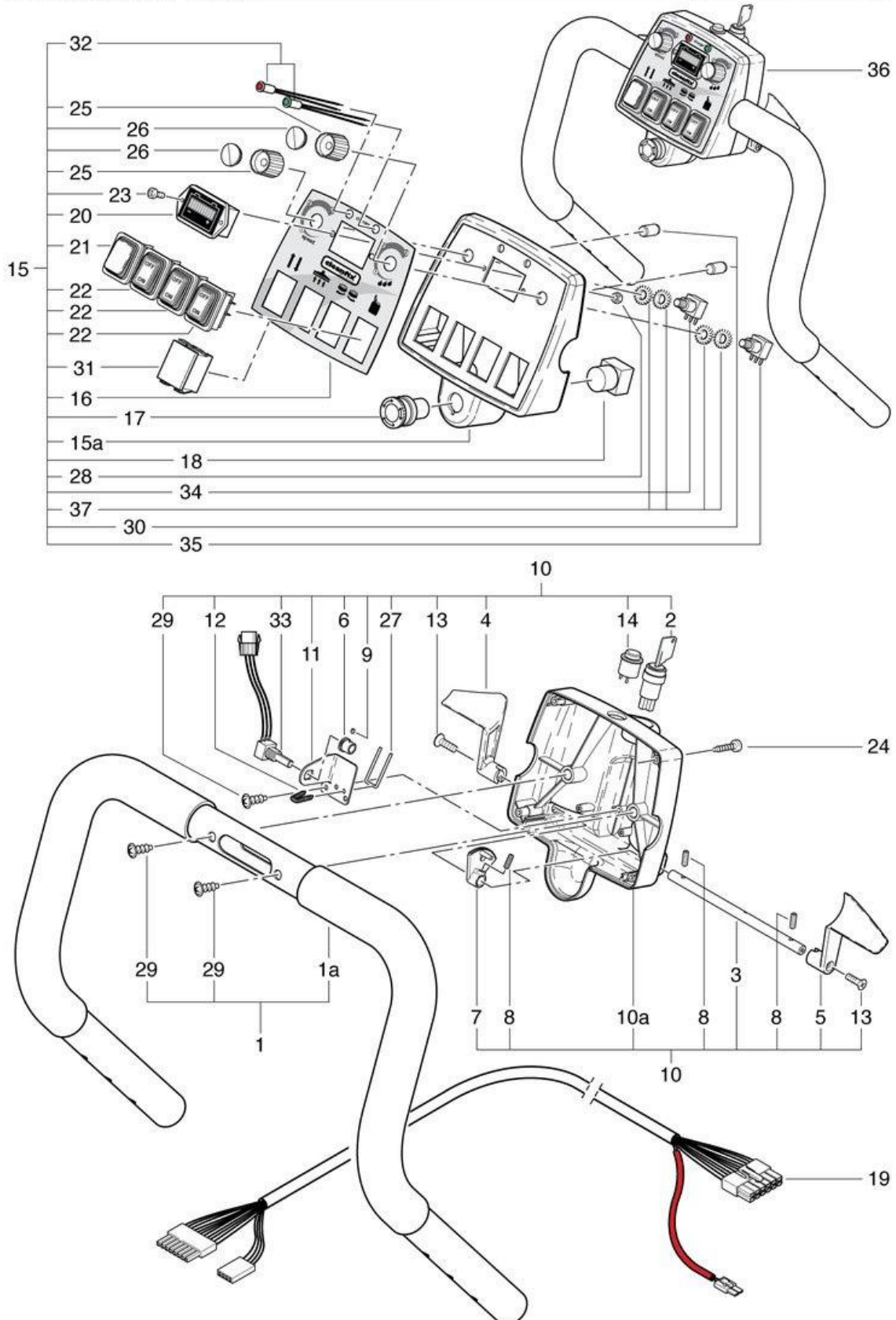
# RA 605 IBCT

## Control unit

Stand: 31.03.2017 21:00



### RA 505/605 IBCT



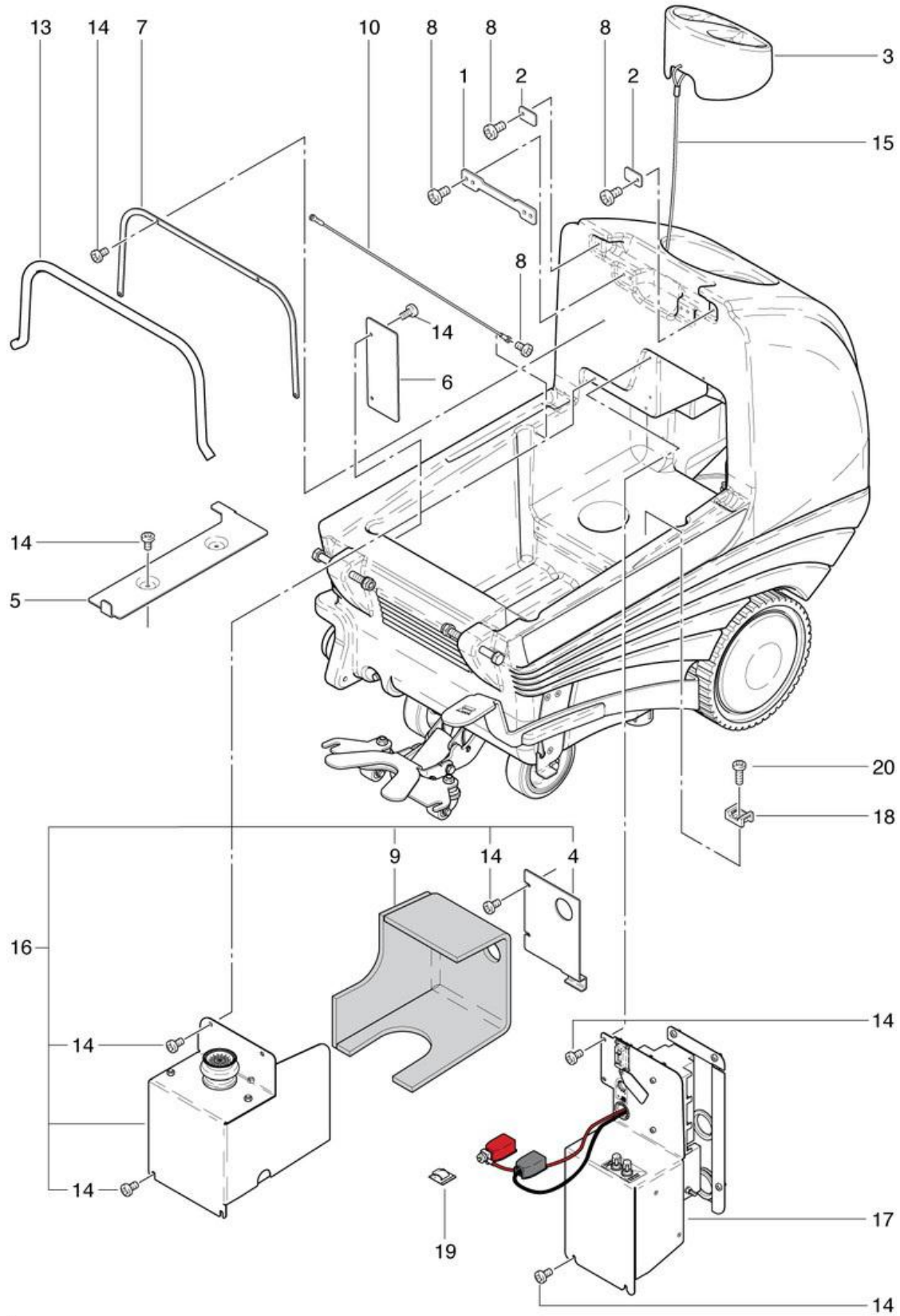
# RA 605 IBCT

## Control unit vacuum motor

Stand: 31.03.2017 21:01



RA 605 IBCT

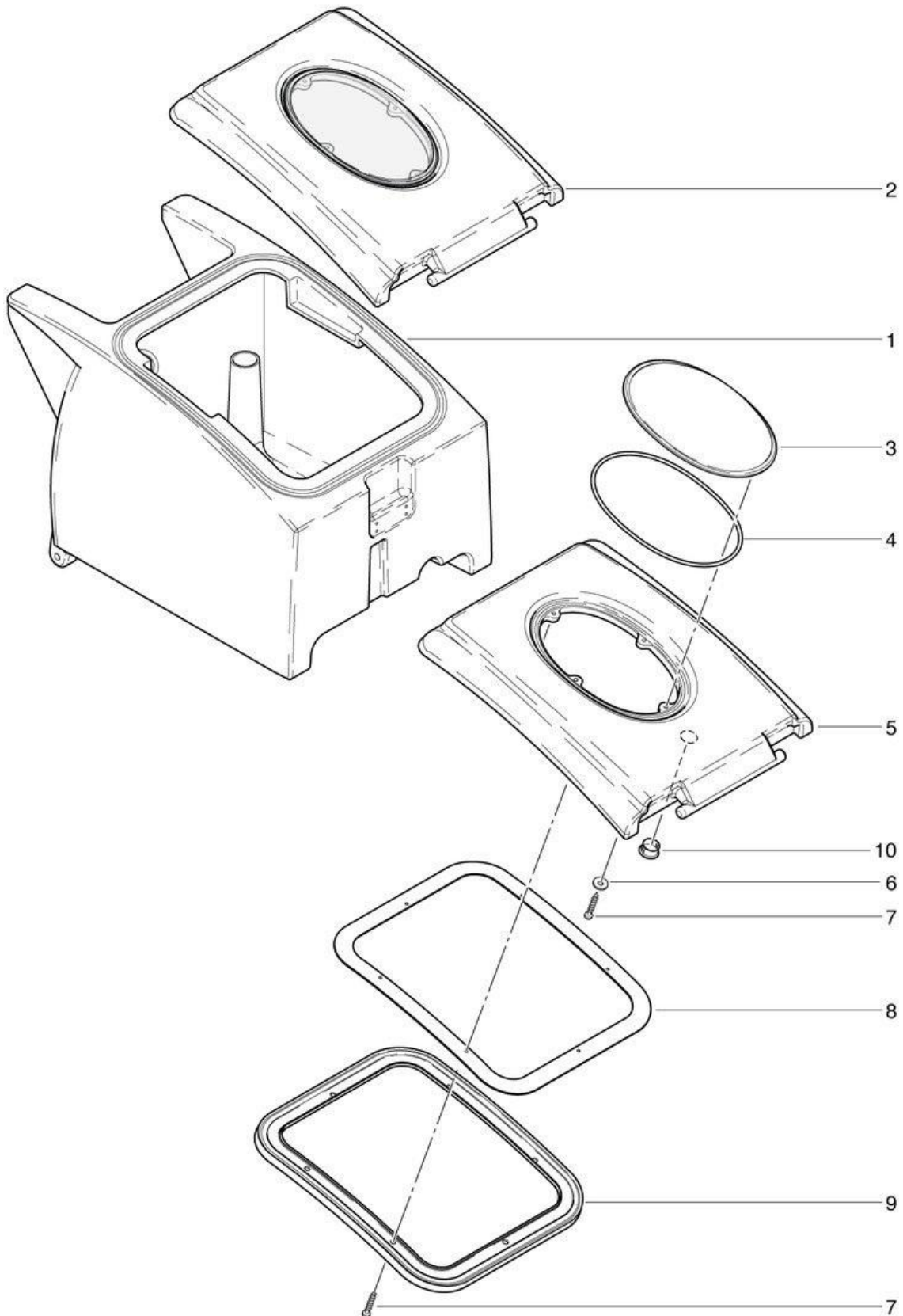


# RA 605 IBCT

## Cover waste water tank

Stand: 31.03.2017 21:00

RA 505/605 IBC/IBCT





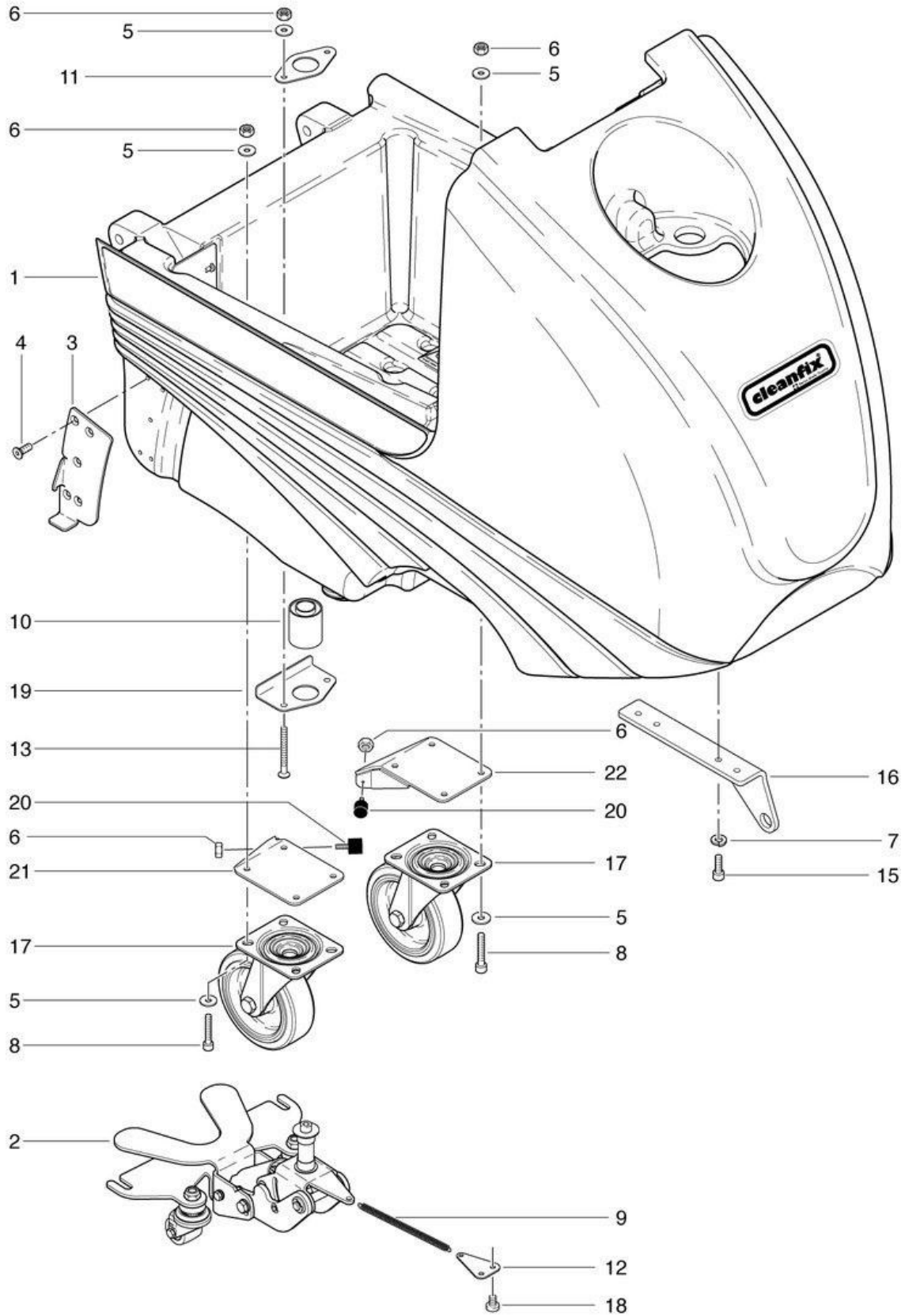
# RA 605 IBCT

## Fresh water tank

Stand: 31.03.2017 20:59



RA 505/605 IBC/IBCT



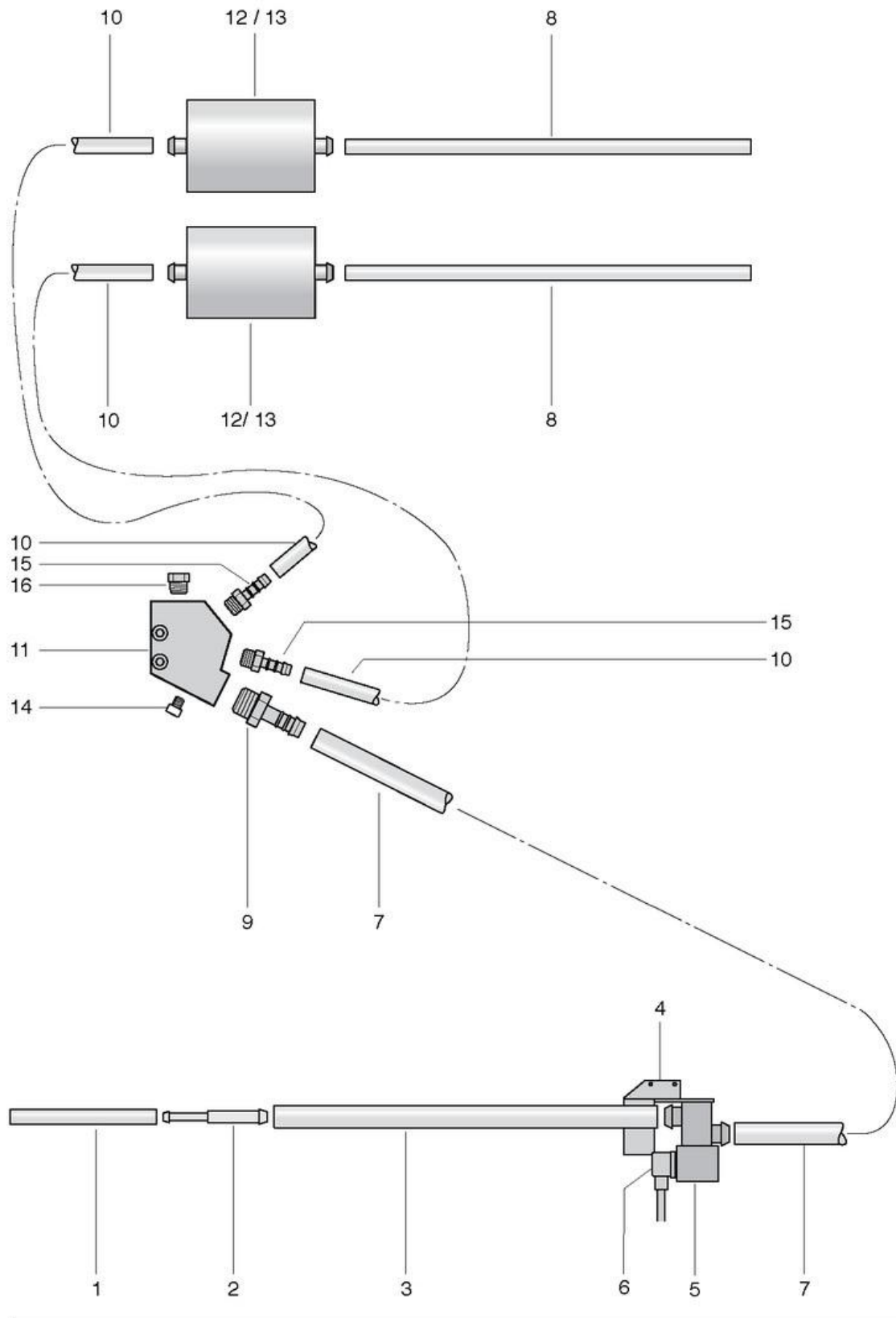
# RA 605 IBCT

## Hosesystem as from no. 9433.001

Stand: 31.03.2017 21:07



RA 605 IBCT



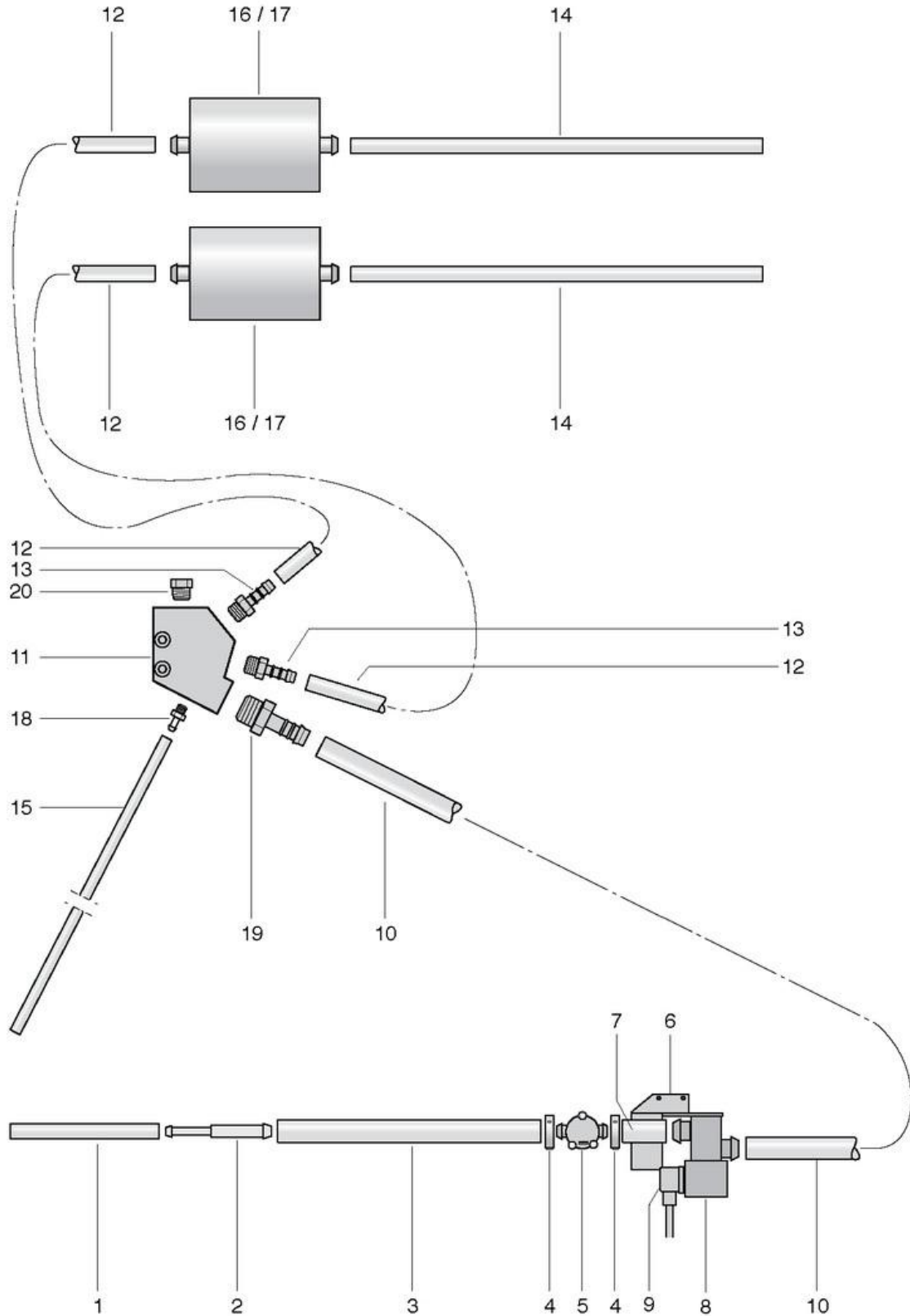
# RA 605 IBCT

## Hose system - Dosage as from no. 9433.001

Stand: 31.03.2017 21:08



RA 605 IBCT



RA 605 IBCT - Schlauchsystem-Dosierung - System de tuyau Dosage - Hose system dosage B 18a-08.2014  
ab Masch. Nr. / à partir de appareils no. / as from no. 9433.001



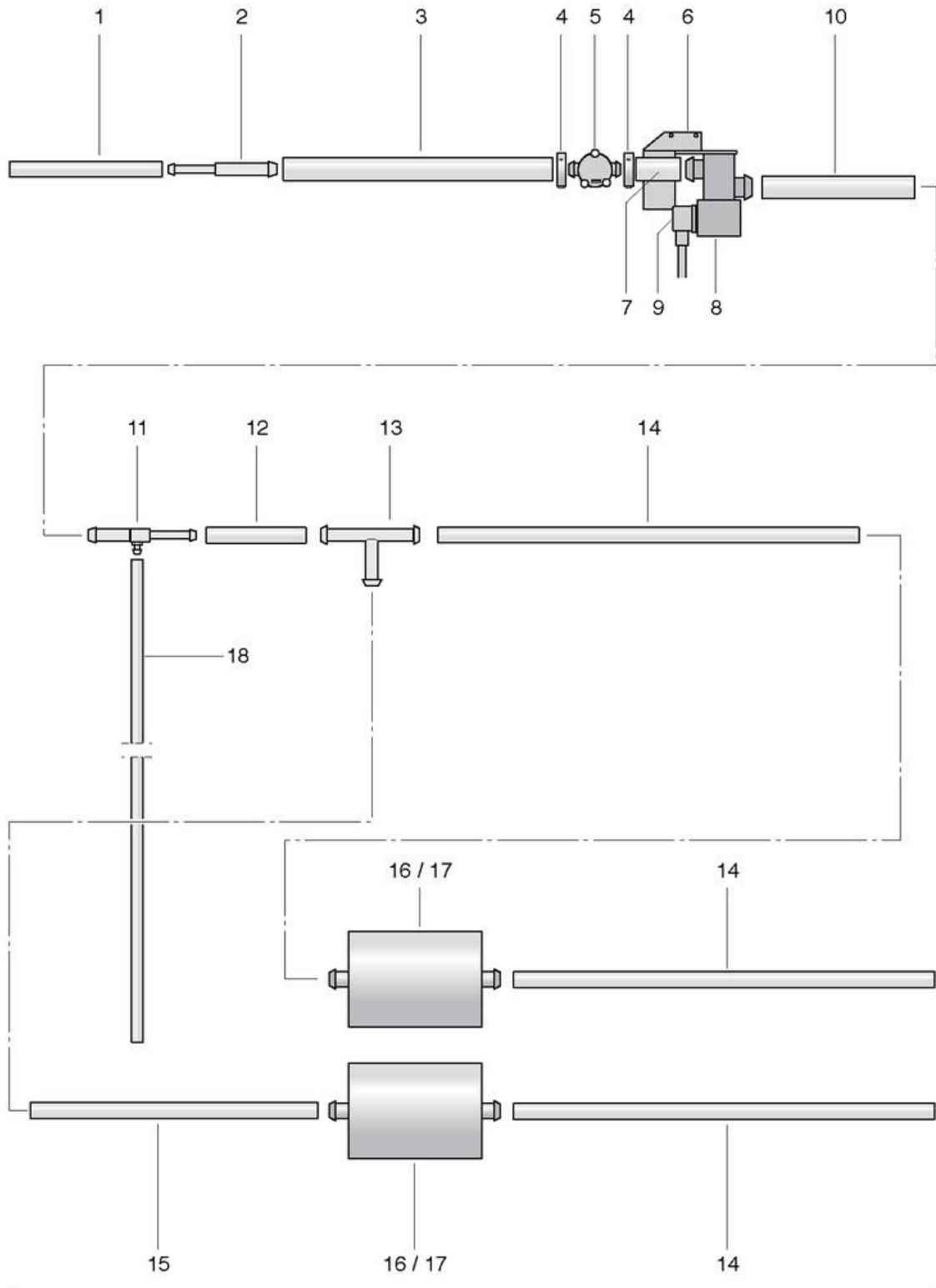
# RA 605 IBCT

## Hose system - Dosage up to machine no. 9432.999

Stand: 31.03.2017 21:08



RA 605 IBCT



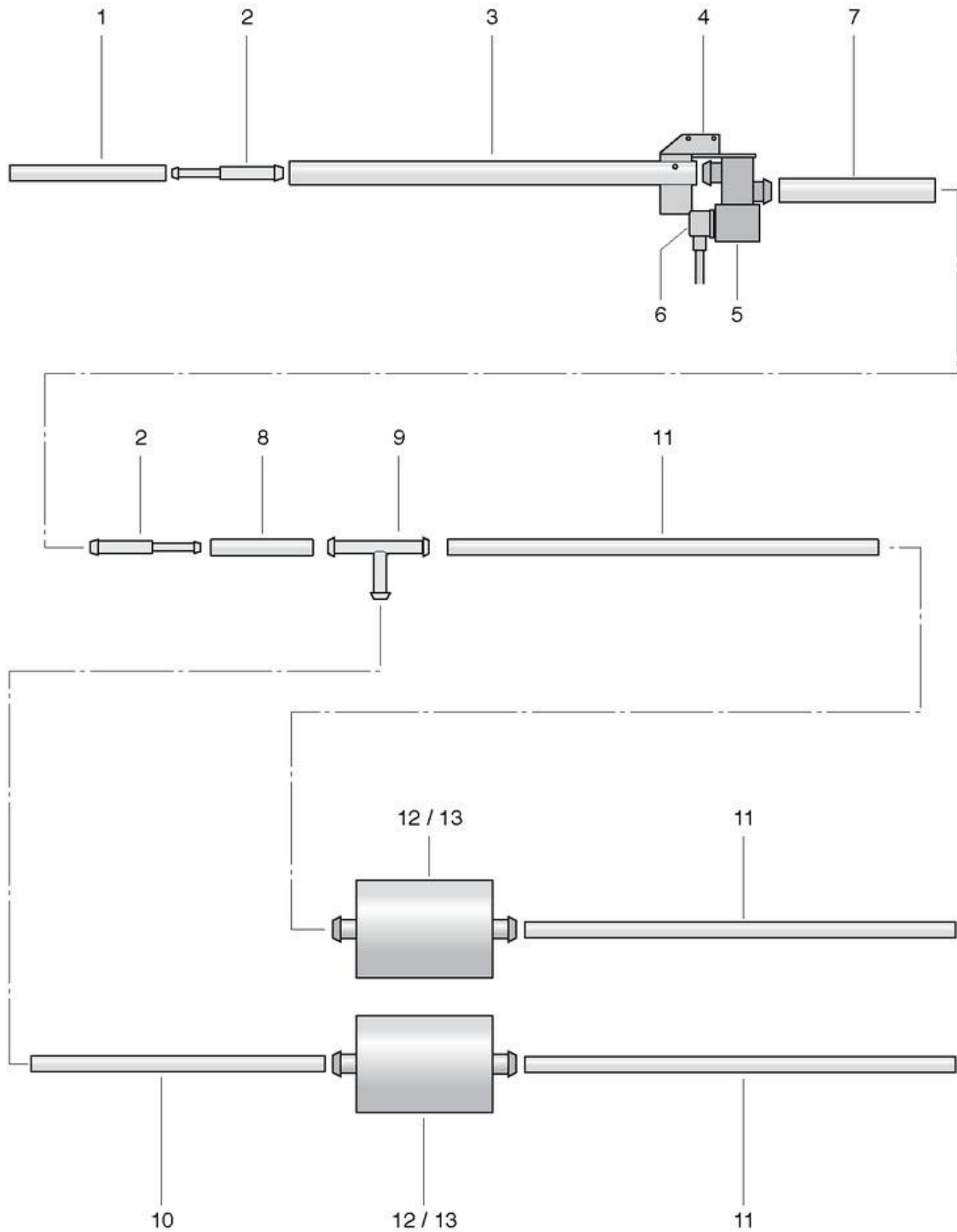
# RA 605 IBCT

## Hosesystem up to machine no. 9432.999

Stand: 31.03.2017 21:07



RA 605 IBCT



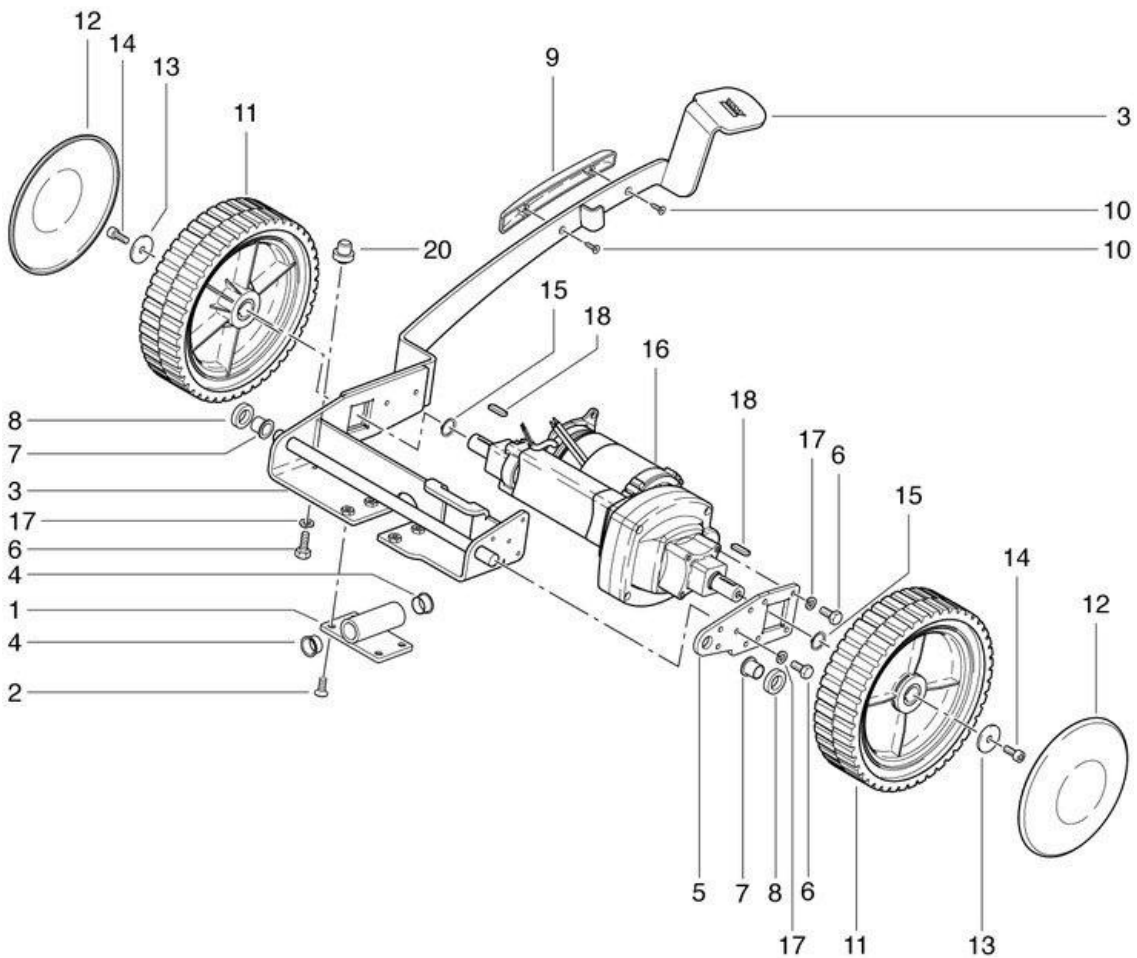
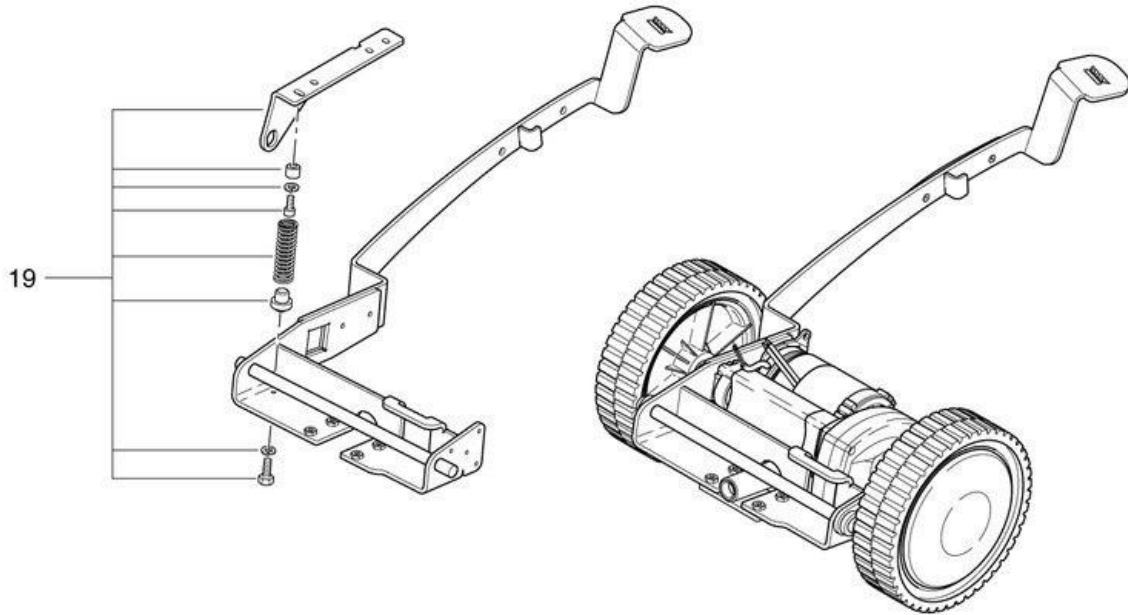
# RA 605 IBCT

## Lift mechanic

Stand: 31.03.2017 21:00



RA 505/605 IBCT





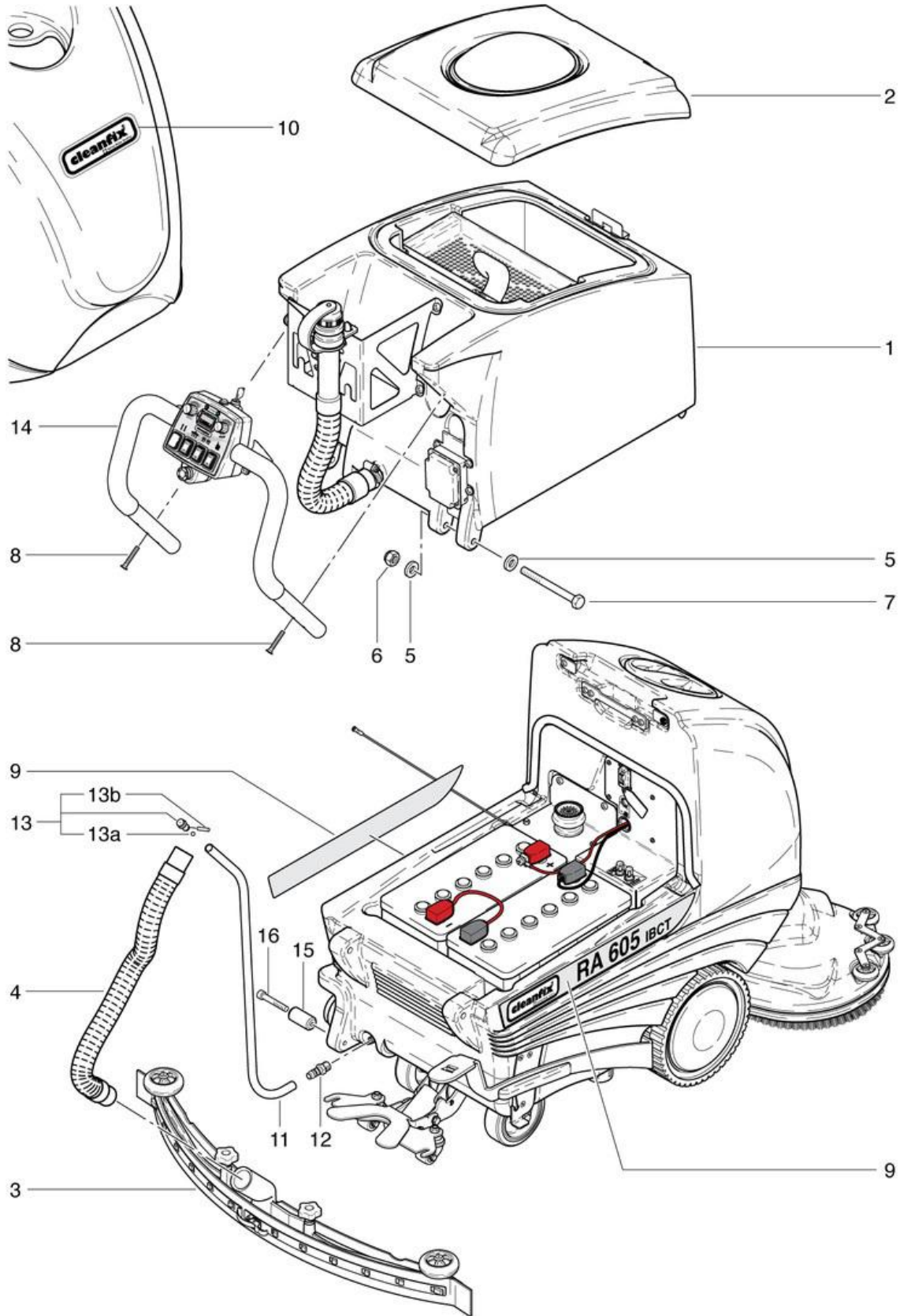
# RA 605 IBCT

## Mounting assemblies

Stand: 31.03.2017 21:00



RA 605 IBCT





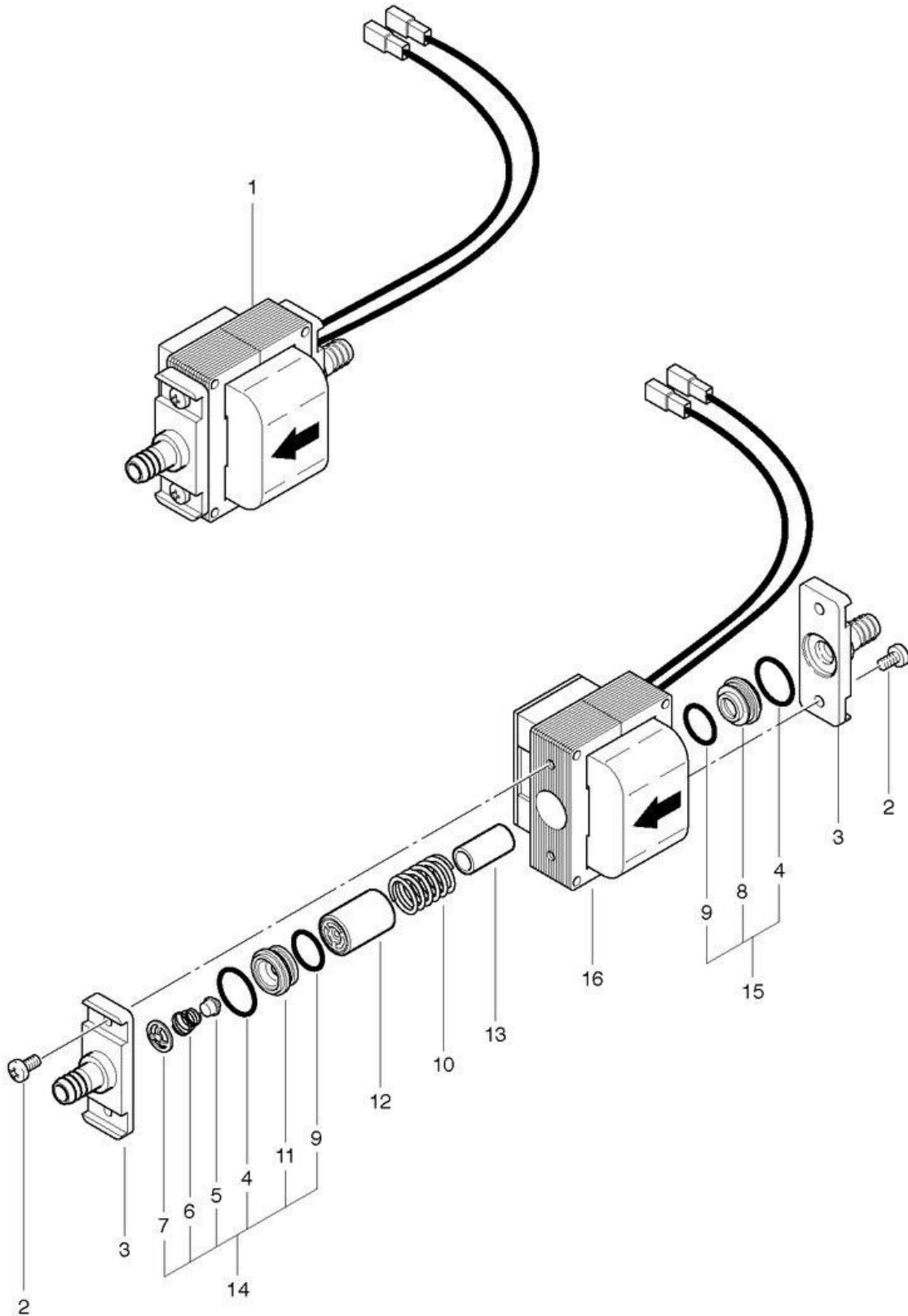
# RA 605 IBCT

## Pump NDS-X

Stand: 31.03.2017 21:03



RA 605 IBCT



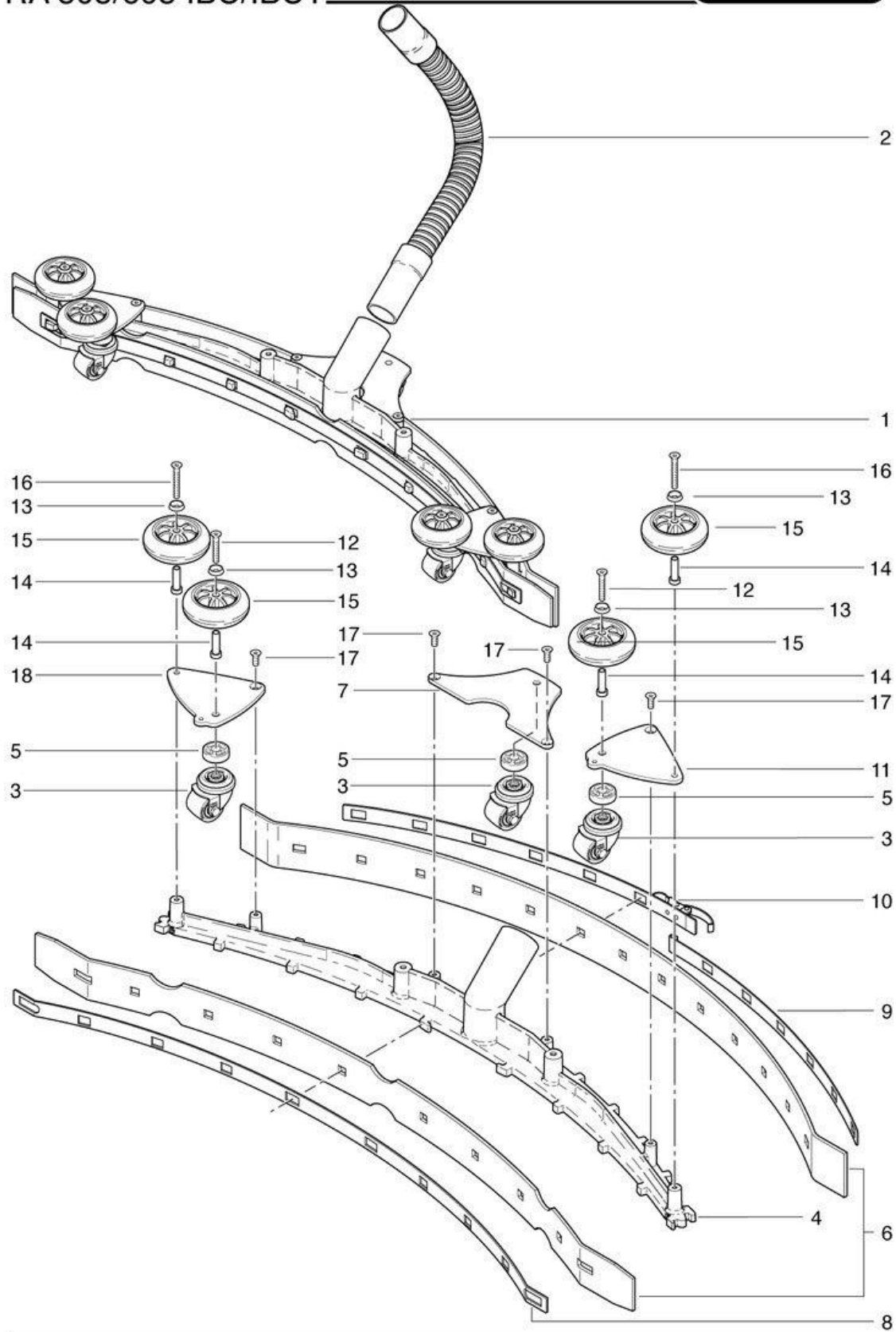
# RA 605 IBCT

## Suction nozzle curved as from no 9532.000

Stand: 31.03.2017 21:06



RA 505/605 IBC/IBCT



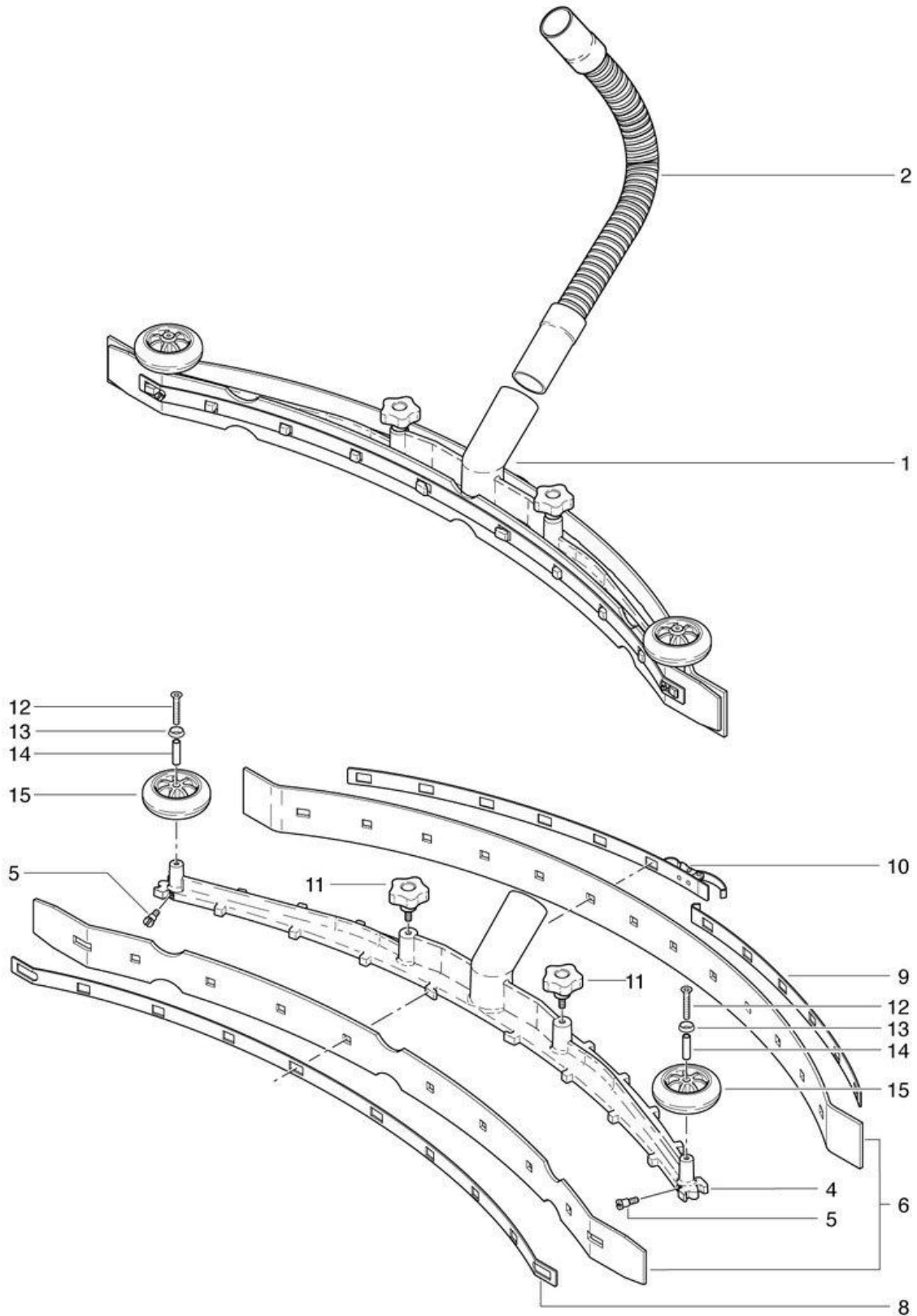


# RA 605 IBCT

## Suction nozzle curved up to machine no. 9528.999

Stand: 31.03.2017 21:06

RA 505/605 IBC/IBCT

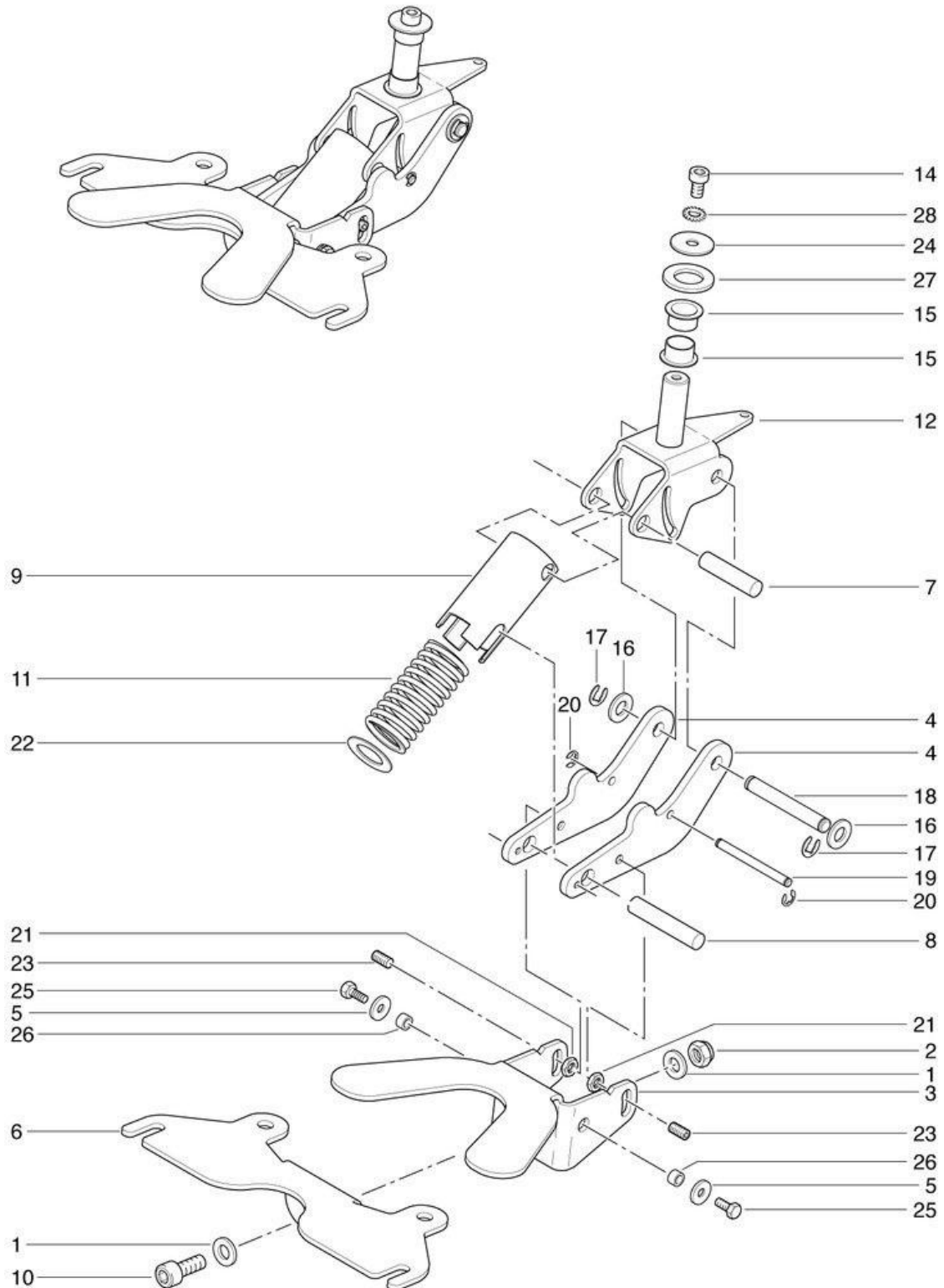


# RA 605 IBCT

## Suction nozzle suspension as from no 9532.000

Stand: 31.03.2017 21:05

RA 505/605 IBC/IBCT



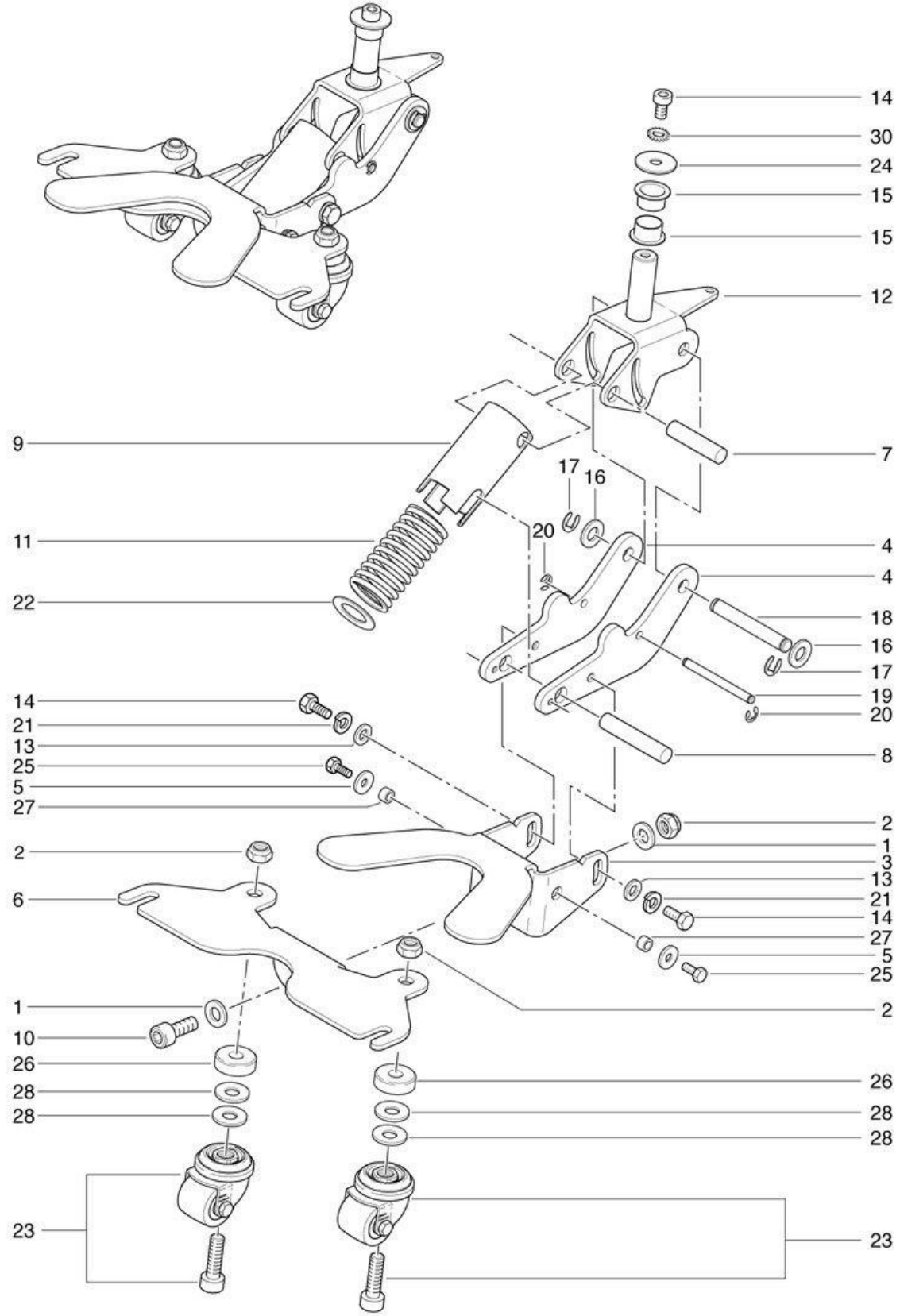
# RA 605 IBCT

## Suction nozzle suspension up to machine no. 9528.999

Stand: 31.03.2017 21:05



RA 505/605 IBC/IBCT



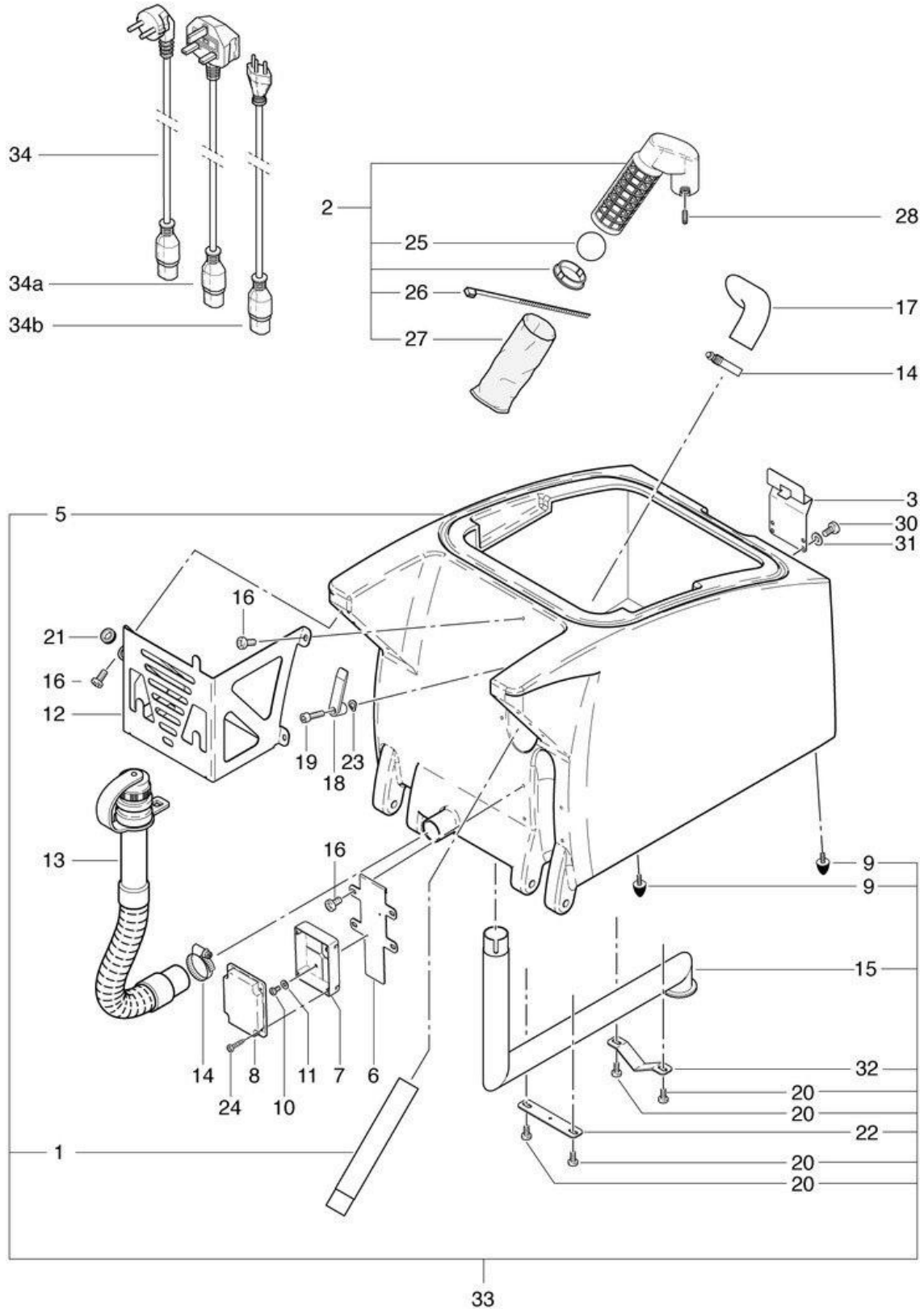
# RA 605 IBCT

## Waste water tank

Stand: 31.03.2017 21:00



### RA 505/605 IBC/IBCT

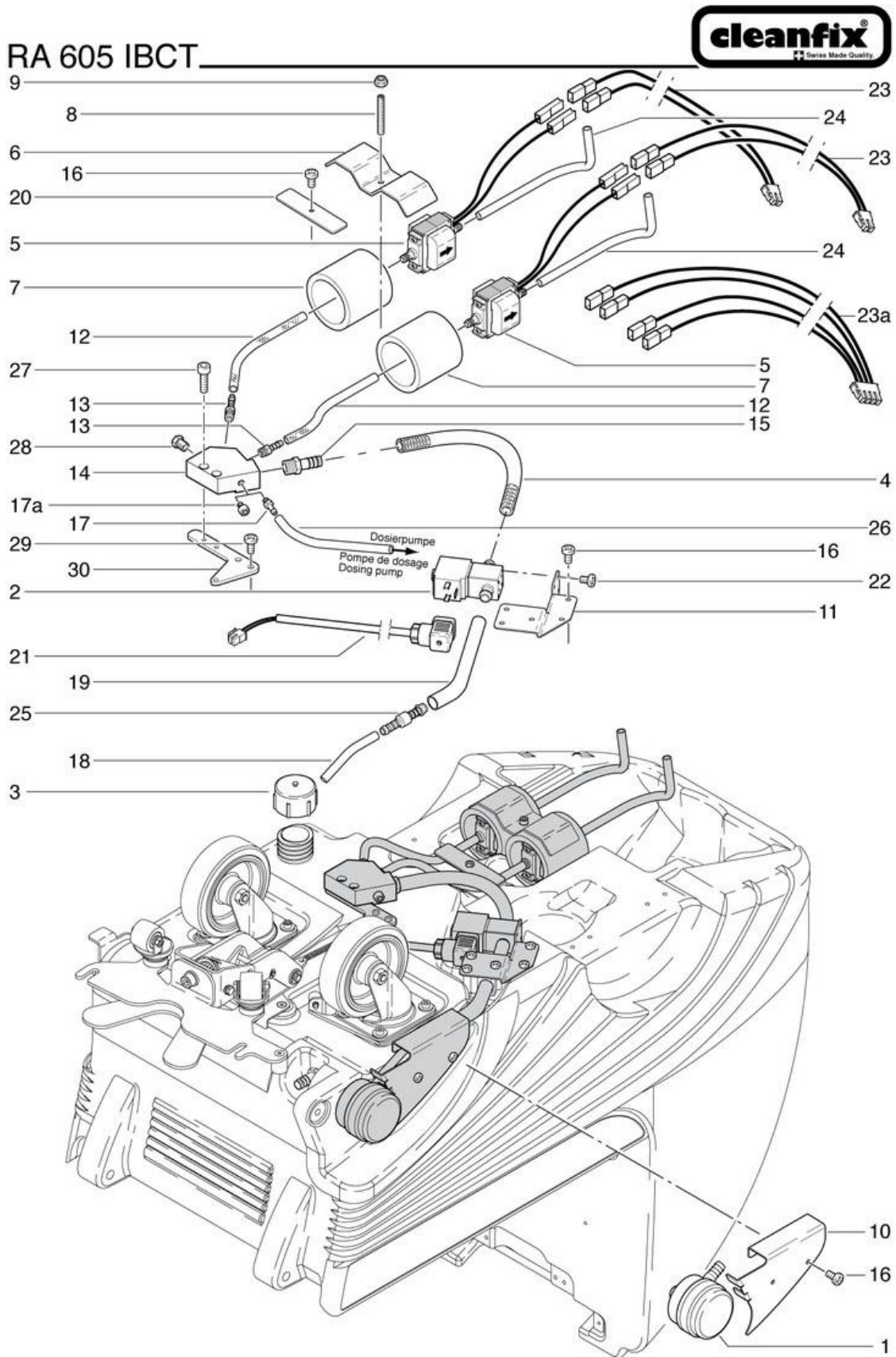




# RA 605 IBCT

## Water distribution as from no. 9433.001

Stand: 31.03.2017 21:02



# RA 605 IBCT

## Water distribution up to machine no. 9432.999

Stand: 31.03.2017 21:02

