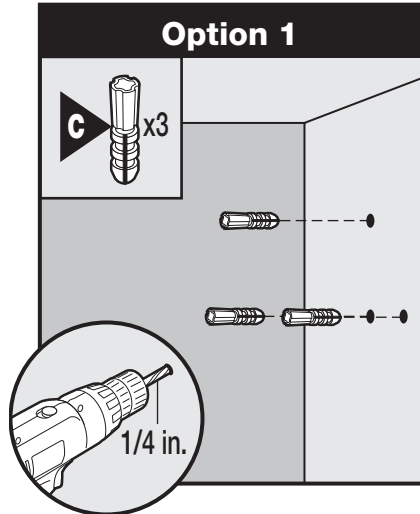
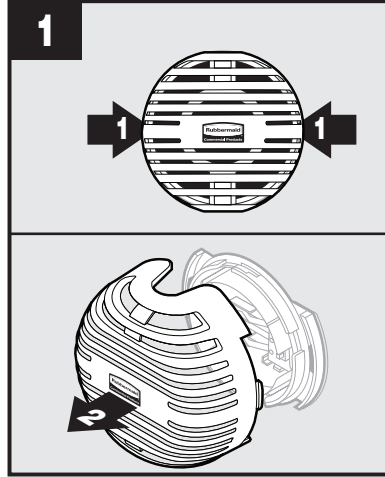
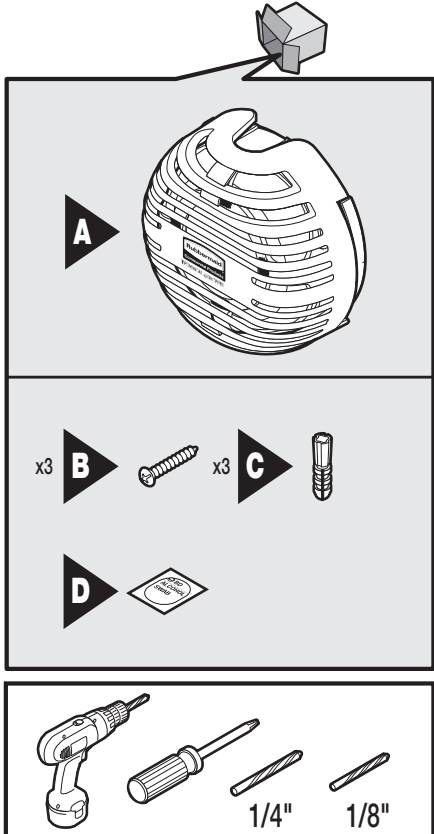
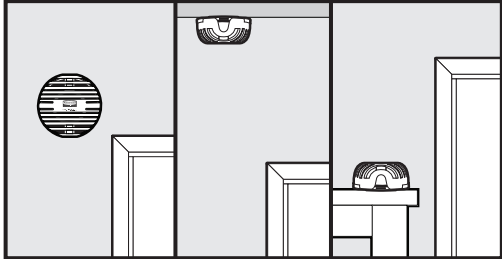
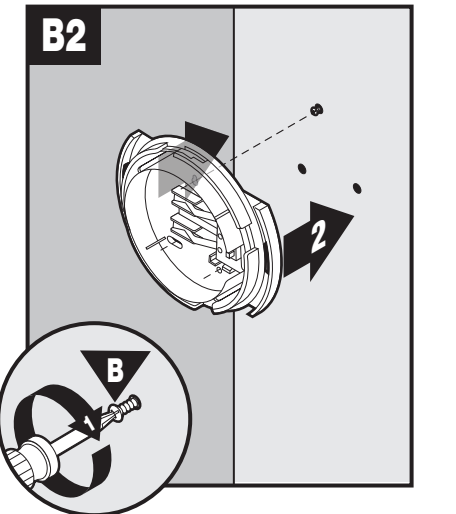
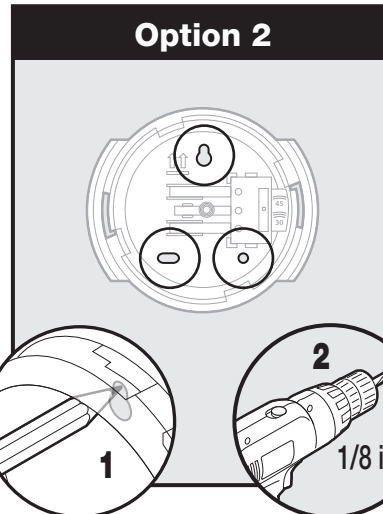
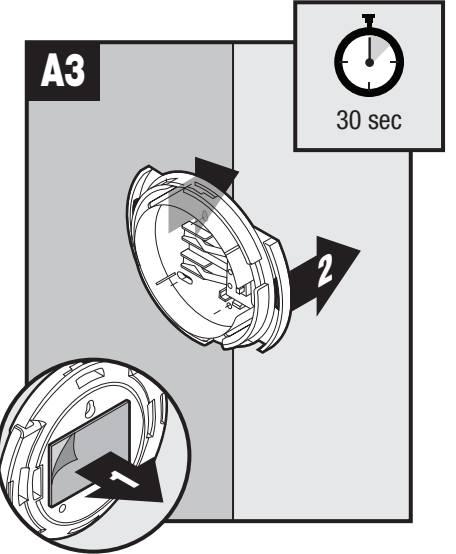
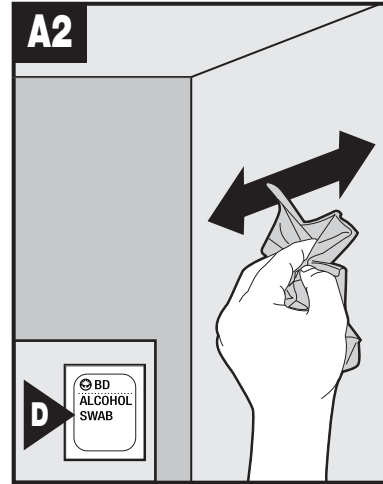
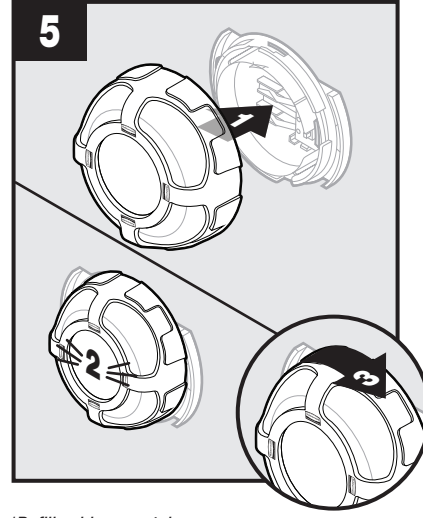
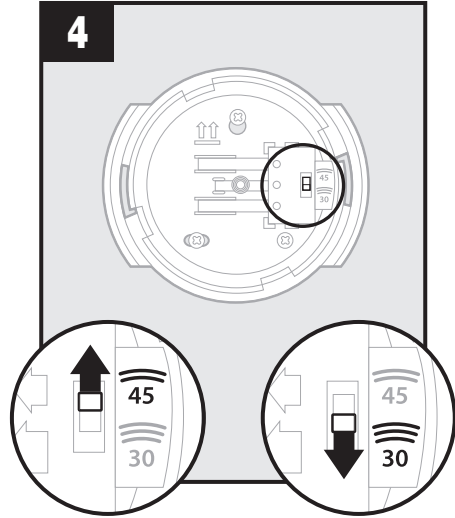
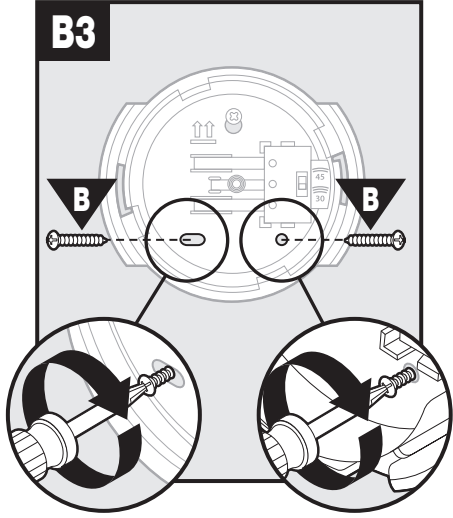


Mounting Options
Options de fixation
Las opciones de montaje

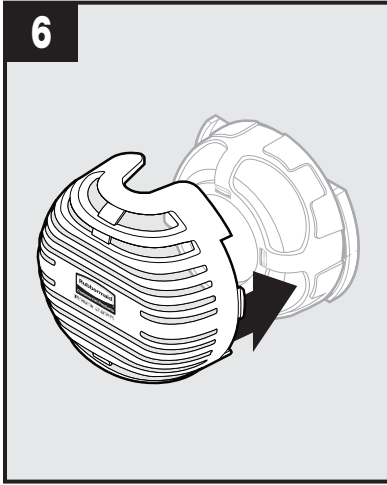


Adhesive Mount
Cadre adhésif
Soporte adhesivo

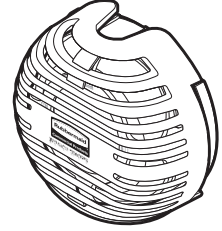




*Refill sold separately.
 *Recharge vendue séparément.
 *Las recargas se venden por separado.



TECHNICAL CONCEPTS



1957531 / 1957532
 1957533 / 1972664

Products manufactured under quality management system registered to ISO 9001:2000
 ©2015 Rubbermaid Commercial Products LLC
 Printed in U.S.A.
 Rubbermaid Commercial Products LLC
 3124 Valley Avenue
 Winchester, VA 22601 U.S.A.
 Phone: 540-667-8700 | Fax: 540-542-8770
www.rubbermaidcommercial.com
 #1980314

TECHNICAL CONCEPTS

